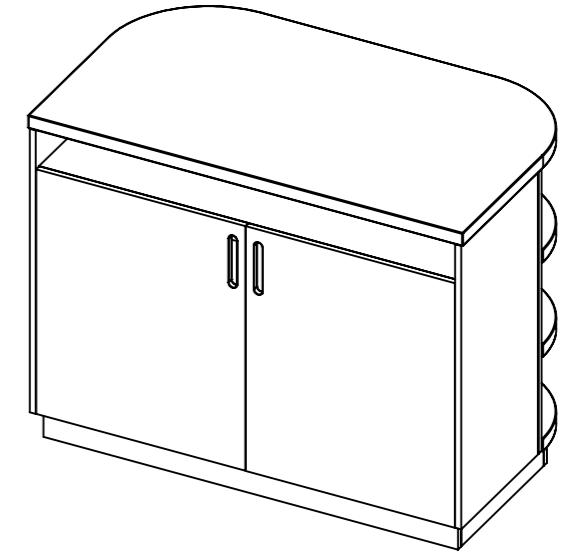


ADJUSTABLE SHELVES INSIDE



comfortel

PRODUCT  
**WALKER**  
 PART No.  
**#9032**  
 ALL DIMENSIONS IN MM [IN]