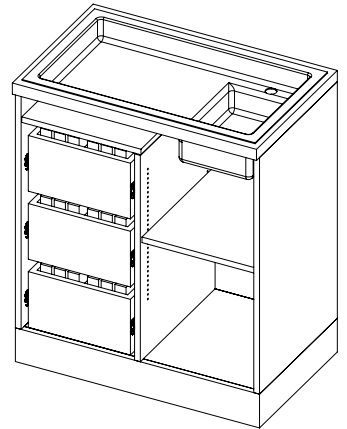
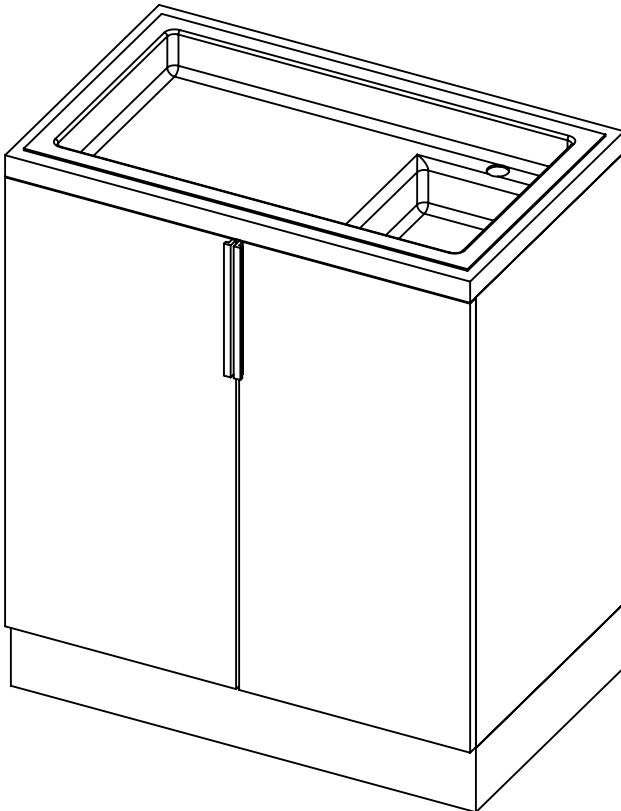


# colour bar cabinet with sink II

#8860

COLOUR BAR CABINET WITH SINK II



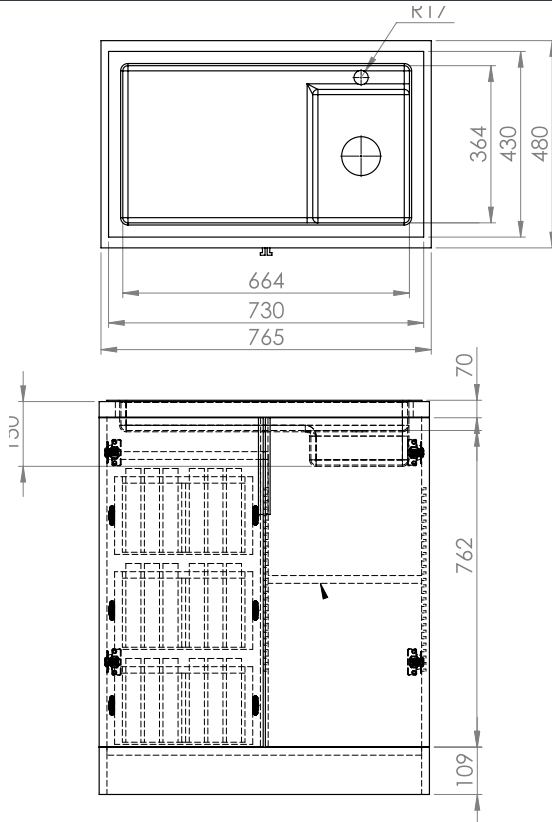


## IMPORTANT PLEASE READ THESE SAFETY INSTRUCTIONS

### GENERAL SAFETY

1. Read carefully and keep these instructions in a safe place.
2. Use this product only for its intended function and do not use attachments not recommended by the manufacturer.
3. Do not use outdoors.

### GET STARTED

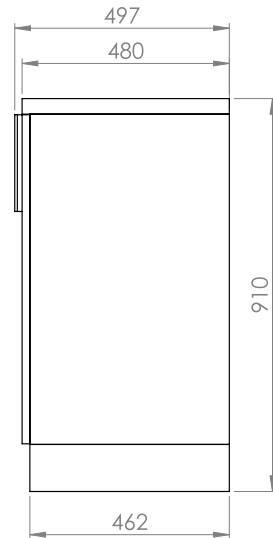


### COLOUR BAR

A dedicated colour area

With our customised Colour Bar Area you can choose your preferred combo set that creates an area that can be incorporated into the salon.

Easily organise your range of colours in a professional way, with ample storage, a stainless steel sink option with a black textured wood grain finish.



### CLEANING

#### GENERAL CLEANING

- We recommend the use of soapy water or approved cleaners.
- This product should not be cleaned with abrasive materials.
- Damage caused by any improper treatment is not covered by the product warranty

### MAINTENANCE

A periodic inspection of all components and fasteners should be made to ensure that your Comfertel product is structurally intact and functioning properly.

Damaged and broken parts should be replaced and loose fasteners tightened.

All maintenance to be carried out by a suitably qualified tradesperson.

## INSTALLATION & ASSEMBLY

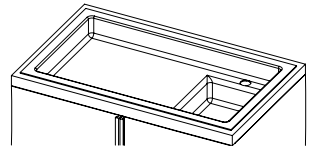
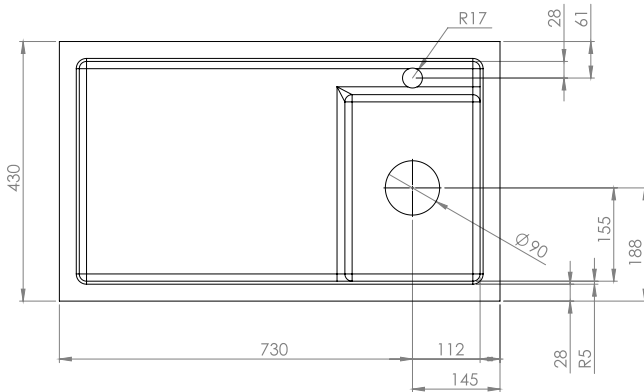


**IMPORTANT:**  
**ALL PLUMBING MUST BE COMPLETED BY A LICENSED PLUMBER**

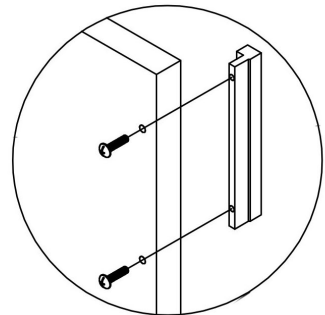
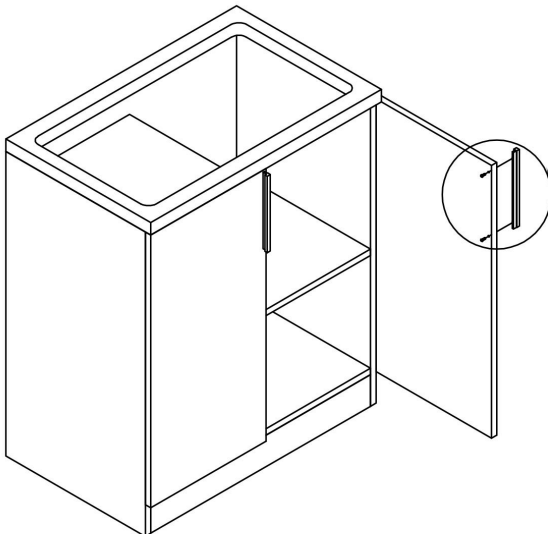
PLUMBING ACCESS OPTIONS FOR COLOUR STATION WITH SINK  
DETERMINE THE BEST WAY TO CONNECT PLUMBING. MIXER TAP NOT SUPPLIED

### PLUMBING & SINK INSTALLATION

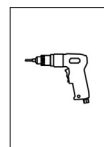
- Install taps (Combined mixer and tap recommended) and drainage pipes as recommended by the plumber. (not supplied)
- Recommended: Fix Cabinet to the wall



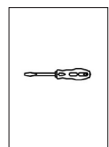
### HANDLE INSTALLATION



### TOOLS REQUIRED



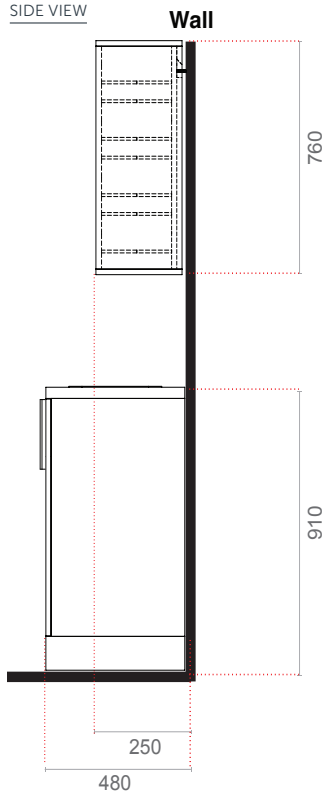
OR



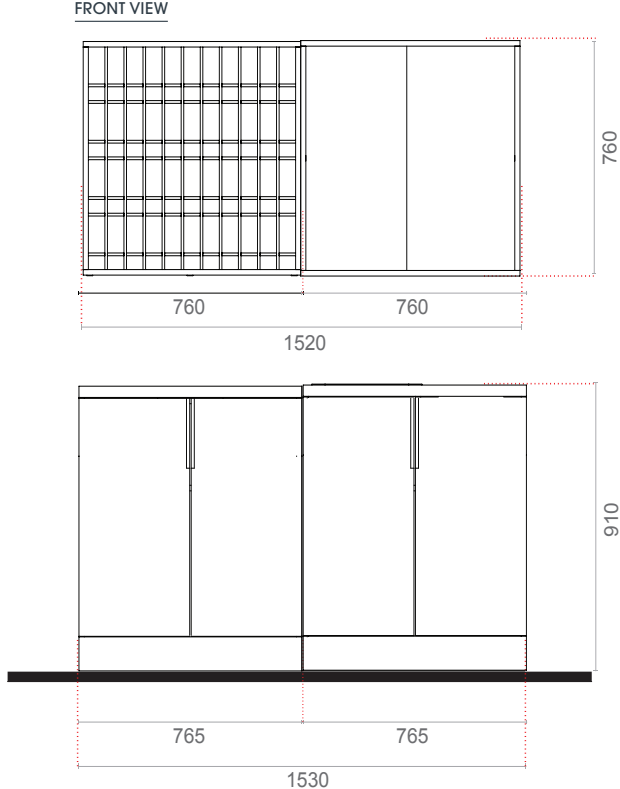
## COLOUR BAR POSITIONING & SIZE

Open each box and position the colour bar in your salon or space, allowing for height of top units.  
Colour Bar Cabinets must be fixed to a wall. Allow for the necessary room in front of the unit for access.

SIDE VIEW



FRONT VIEW



comfortel

[help.comfortel.com.au](http://help.comfortel.com.au)

### PRODUCT CODE

#8860 COLOUR BAR CABINET WITH SINK II

Revision Date: 24.11.2020

©Comfortel Furniture. All rights are reserved. No part of this document may be photocopied, reproduced or translated to another language without written consent of Comfortel Furniture Pty Ltd.

The information contained in this document is subject to change without notice and should not be construed as a commitment by Comfortel Furniture Pty Ltd.

Comfortel Furniture Pty Ltd. assumes no responsibility for any errors that may appear in this document nor does it make expressed or implied warranty of any kind with regard to this material, including, but not limited to, the implied warranties of merchantability and fitness for a particular purpose.

Comfortel Furniture Pty Ltd. shall not be liable for incidental or consequential damages in connection with or arising out of the use of this document and the program material.

### **PLEASE RETAIN THIS INFORMATION FOR FUTURE REFERENCE**

For more information about our products and services, contact us at [comfortel.com.au](http://comfortel.com.au)

### WARRANTY PERIOD

TERMS AND CONDITIONS. For more information about our warranty, please refer to our website.

PURCHASE DATE

INVOICE NUMBER

NOTE YOUR PURCHASE DATE & INVOICE NUMBER FOR FUTURE REFERENCE