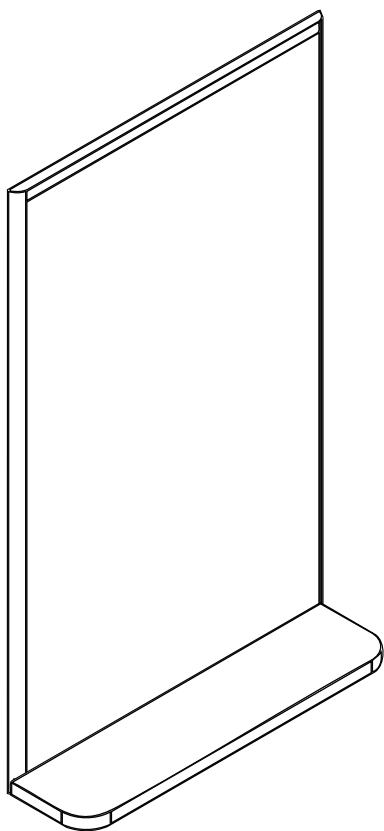


# ombre

#8211.01.B OMBRE SALON MIRROR (BOX 1 OF 2)

#8211.02.B OMBRE SALON BENCH (BOX 2 OF 2)

---





# IMPORTANT PLEASE READ THESE SAFETY INSTRUCTIONS

## GENERAL SAFETY

1. Read carefully and keep these instructions in a safe place.
2. Use this product only for its intended function and do not use attachments not recommended by the manufacturer.
3. Do not use outdoors.



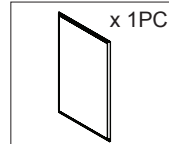
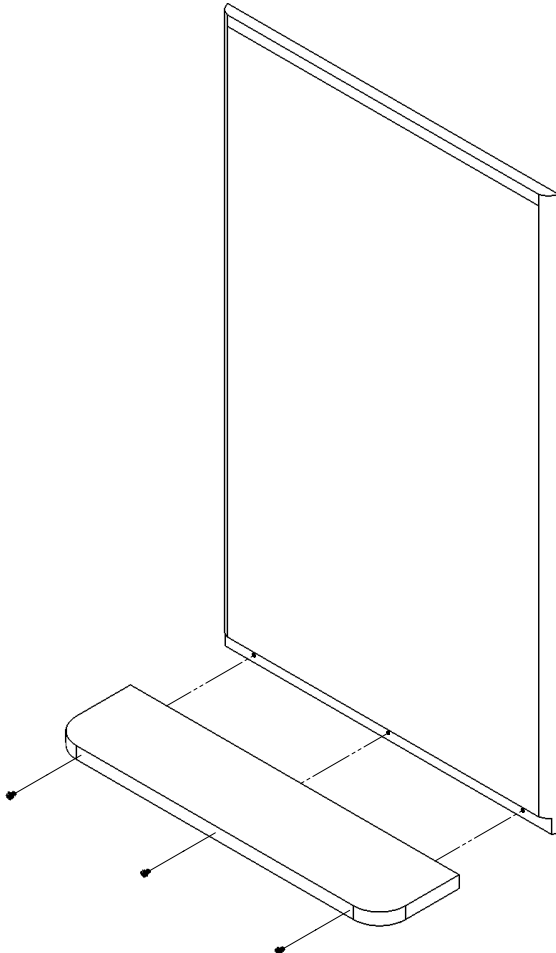
## ! IMPORTANT

WALL FIXINGS NOT SUPPLIED. PLEASE REFER TO MIRROR WEIGHT WHEN INSTALLING TO DETERMINE BEST PRACTICE MOUNTING. WALL STUDS AND NOGGINS ARE NOT REQUIRED WHEN INSTALLING MIRRORS

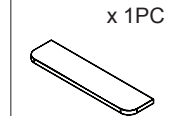


PLEASE USE CORRECT FIXTURES FOR MOUNTING BASED ON WALL TYPE. NO RESPONSIBILITY IS ACCEPTED FOR ANY DAMAGE OR INJURY CAUSED BY INCORRECT MOUNTING.

## INSTALLATION & ASSEMBLY



SALON MIRROR FRAME

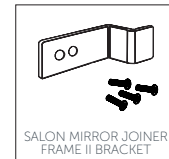


SALON MIRROR BENCH



M6 X 25 BOLT BUTTON HEAD ALLEN KEY

USE TO INSTALL MIRROR ON SALON MIRROR JOINER FRAME II

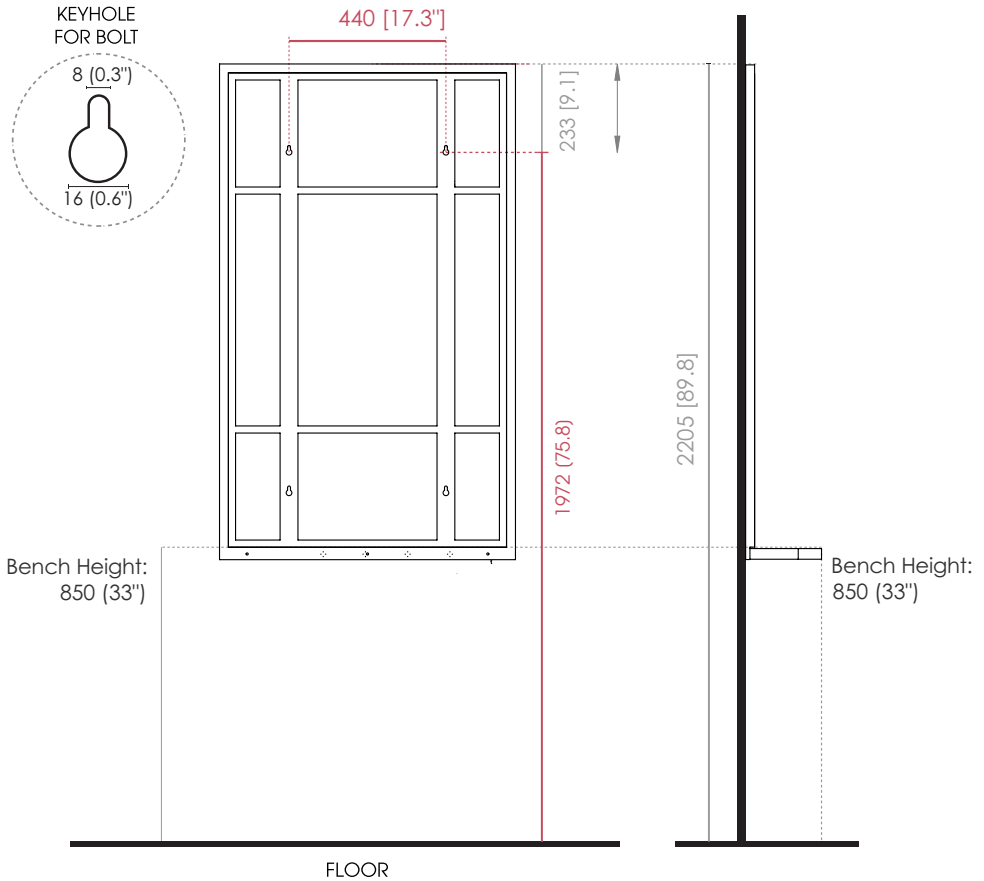


# INSTALLATION - RECOMMENDED WALL MOUNTING

## POSITION

Wall Back

All measurements are in mm



## BEFORE INSTALLING YOU SHOULD CONSIDER THE FOLLOWING:

Allow for the necessary room around the unit for free movement.  
When installing, position bench so it is 800mm - 850mm (31.5" - 34") from the floor. This is the recommended bench height.

## MOUNTING TO WALL

1. Position frame as pictured
2. Using fixings (Not supplied), secure frame to wall



## IMPORTANT



WALL FIXINGS NOT SUPPLIED. PLEASE REFER TO MIRROR WEIGHT WHEN INSTALLING TO DETERMINE BEST PRACTICE MOUNTING. WALL STUDS AND NOGGINS ARE NOT REQUIRED WHEN INSTALLING MIRRORS

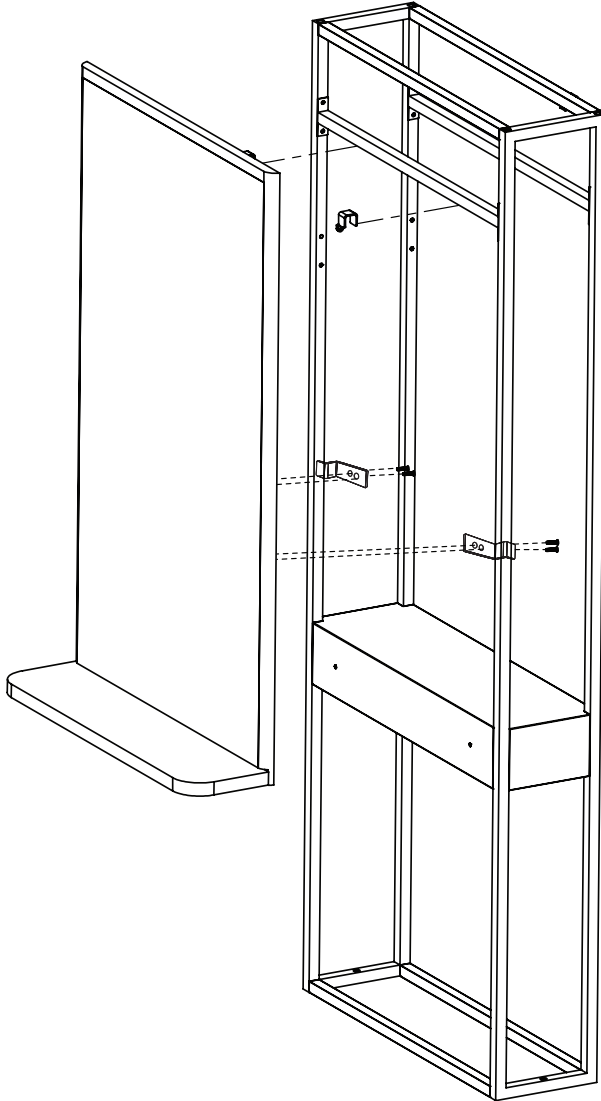


PLEASE USE CORRECT FIXTURES FOR MOUNTING BASED ON WALL TYPE. NO RESPONSIBILITY IS ACCEPTED FOR ANY DAMAGE OR INJURY CAUSED BY INCORRECT MOUNTING.

# MIRROR JOINER INSTALLATION

OMBRE MIRROR + 8034.01 COMFOTEL SALON MIRROR JOINER FRAME II

	
M6X15MM x 4PCS	BRACKET x 2PCS



# CLEANING + CARE

---

## Cleaning the Glass / Mirror:

- Mist the entire surface of the mirror with an everyday glass cleaner.
- Avoid soaking the mirror which will add to the time for this job.
- To avoid streaks use a microfiber cloth and wipe down the mirror in zig zag motions
- Continue wiping the mirror until it is dry.

## To clean the Bench/Frame:

- To avoid scratching, wipe with soft cloth with warm soapy water or with everyday household cleaners.
- Dry with clean soft cloth (never use abrasive cloth or cleaners stated below)

## Do not use:

- hydrocarbons including alcohol
- acetone (unless stated acetone proof eg Manicure Tables)
- furniture polishes
- bleach
- steel wool
- solvent based or abrasive cleaning agents

A periodic inspection of all components and fasteners should be made to ensure that your salon mirror is structurally intact and functioning properly.

# comfortel

[help.comfortel.com.au](http://help.comfortel.com.au)

## PRODUCT CODE

- #8211.01.B OMBRE SALON MIRROR - BLACK  
(BOX 1 OF 2)
- #8211.02.B OMBRE SALON BENCH - BLACK  
(BOX 2 OF 2)

©Comfortel Furniture. All rights are reserved. No part of this document may be photocopied, reproduced or translated to another language without written consent of Comfortel Furniture Pty Ltd.

The information contained in this document is subject to change without notice and should not be construed as a commitment by Comfortel Furniture Pty Ltd.

Comfortel Furniture Pty Ltd. assumes no responsibility for any errors that may appear in this document nor does it make expressed or implied warranty of any kind with regard to this material, including, but not limited to, the implied warranties of merchantability and fitness for a particular purpose.

Comfortel Furniture Pty Ltd. shall not be liable for incidental or consequential damages in connection with or arising out of the use of this document and the program material.

## **PLEASE RETAIN THIS INFORMATION FOR FUTURE REFERENCE**

## WARRANTY PERIOD

TERMS AND CONDITIONS: For more information about our warranty, please refer to our website:

WARRANTY



PURCHASE DATE

INVOICE NUMBER

NOTE YOUR PURCHASE DATE & INVOICE NUMBER FOR FUTURE REFERENCE