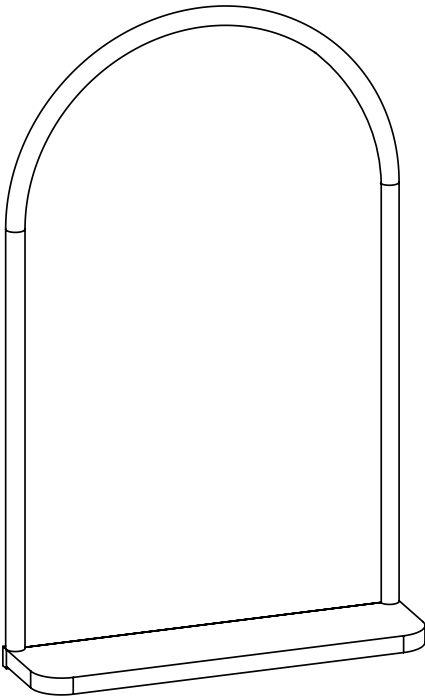


maison

#8193.01.W MAISON SALON MIRROR





IMPORTANT PLEASE READ THESE SAFETY INSTRUCTIONS

GENERAL SAFETY

1. Read carefully and keep these instructions in a safe place.
2. Use this product only for its intended function and do not use attachments not recommended by the manufacturer.
3. Do not use outdoors.



IMPORTANT

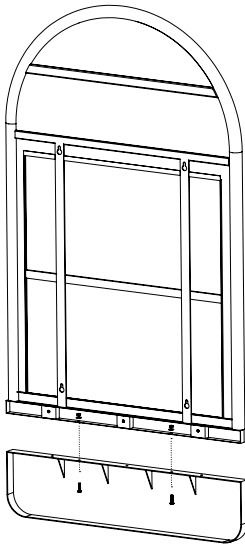
WALL FIXINGS NOT SUPPLIED. PLEASE REFER TO MIRROR WEIGHT WHEN INSTALLING TO DETERMINE BEST PRACTICE MOUNTING. WALL STUDS AND NOGGINS ARE NOT REQUIRED WHEN INSTALLING MIRRORS



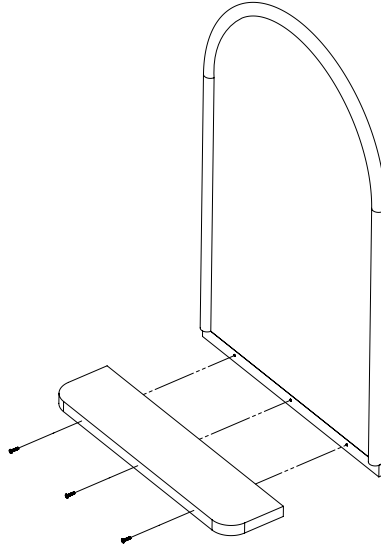
PLEASE USE CORRECT FIXTURES FOR MOUNTING BASED ON WALL TYPE. NO RESPONSIBILITY IS ACCEPTED FOR ANY DAMAGE OR INJURY CAUSED BY INCORRECT MOUNTING.

INSTALLATION & ASSEMBLY

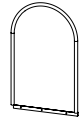
A



B



x 1PC



SALON MIRROR FRAME

x 1PC



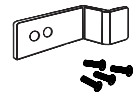
SALON MIRROR BENCH

x 3PCs



M6 X 25 BOLT WITH
BUTTON HEAD ALLEN KEY

USE TO INSTALL MIRROR ON
SALON MIRROR JOINER FRAME II



SALON MIRROR JOINER
FRAME II BRACKET

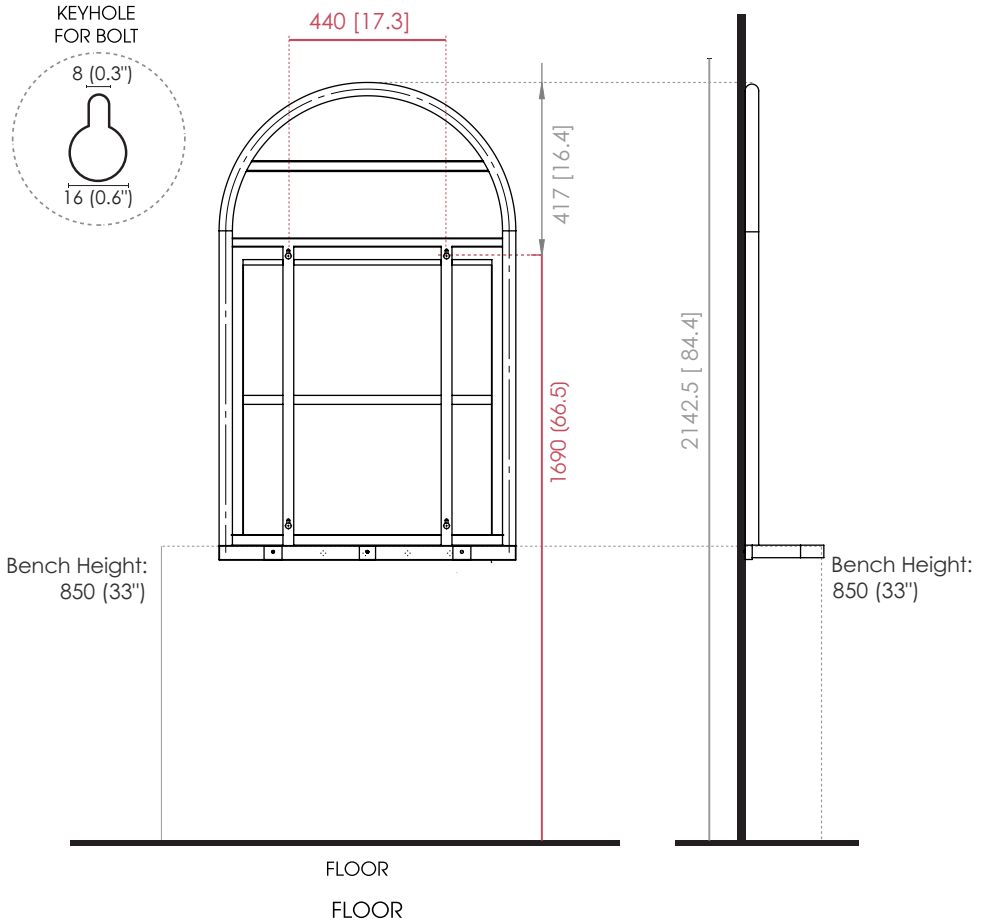
Mirror comes packaged with the bench attached to bottom of the mirror (A).
Unscrew bench top and position bench as shown in (B)

INSTALLATION - RECOMMENDED WALL MOUNTING

POSITION

Wall Back

All measurements are in mm



BEFORE INSTALLING YOU SHOULD CONSIDER THE FOLLOWING:

Allow for the necessary room around the unit for free movement.
When installing, position bench so it is 800mm - 850mm (31.5" - 34") from the floor. This is the recommended bench height.

MOUNTING TO WALL

1. Position frame as pictured
2. Using fixings (Not supplied), secure frame to wall



IMPORTANT



WALL FIXINGS NOT SUPPLIED. PLEASE REFER TO MIRROR WEIGHT WHEN INSTALLING TO DETERMINE BEST PRACTICE MOUNTING. WALL STUDS AND NOGGINS ARE NOT REQUIRED WHEN INSTALLING MIRRORS

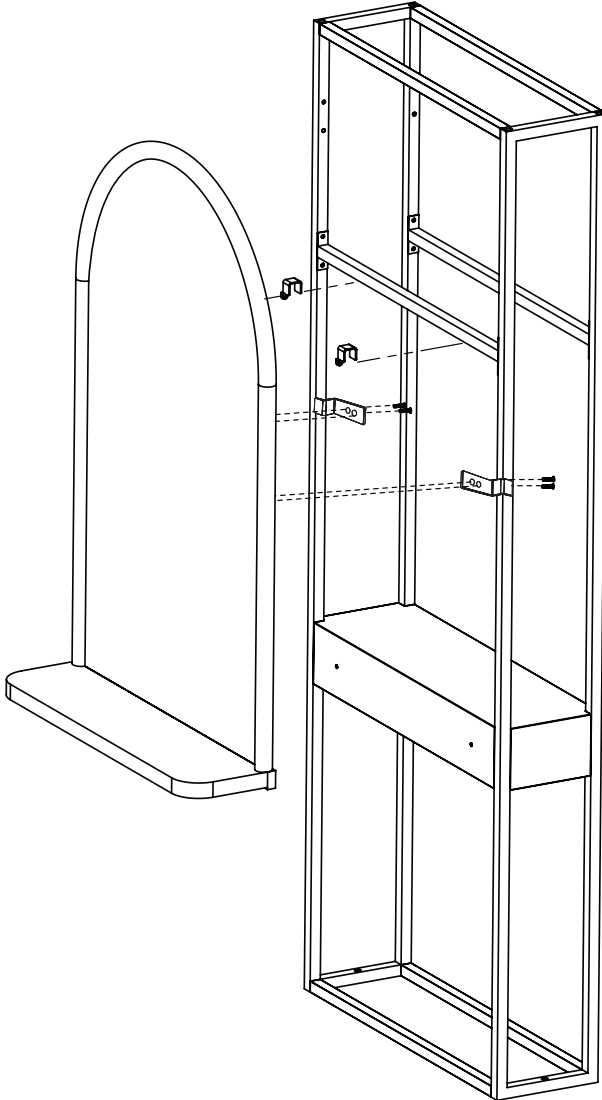


PLEASE USE CORRECT FIXTURES FOR MOUNTING BASED ON WALL TYPE. NO RESPONSIBILITY IS ACCEPTED FOR ANY DAMAGE OR INJURY CAUSED BY INCORRECT MOUNTING.

MIRROR JOINER INSTALLATION

MAISON MIRROR + 8034.01 COMFORTEL SALON MIRROR JOINER FRAME II

	
M6X15MM	BRACKET
x 4PCS	x 2PCS



CLEANING + CARE

Cleaning the Glass / Mirror:

- Mist the entire surface of the mirror with an everyday glass cleaner.
- Avoid soaking the mirror which will add to the time for this job.
- To avoid streaks use a microfiber cloth and wipe down the mirror in zig zag motions
- Continue wiping the mirror until it is dry.

To clean the Bench/Frame:

- To avoid scratching, wipe with soft cloth with warm soapy water or with everyday household cleaners.
- Dry with clean soft cloth (never use abrasive cloth or cleaners stated below)

Do not use:

- hydrocarbons including alcohol
- acetone (unless stated acetone proof eg Manicure Tables)
- furniture polishes
- bleach
- steel wool
- solvent based or abrasive cleaning agents

A periodic inspection of all components and fasteners should be made to ensure that your salon mirror is structurally intact and functioning properly.

comfortel

help.comfortel.com.au

PRODUCT CODE

#8193.01.W MAISON SALON MIRROR

The information contained in this document is subject to change without notice and should not be construed as a commitment by Comfortel Furniture Pty Ltd.

Comfortel Furniture Pty Ltd. assumes no responsibility for any errors that may appear in this document nor does it make expressed or implied warranty of any kind with regard to this material, including, but not limited to, the implied warranties of merchantability and fitness for a particular purpose.

Comfortel Furniture Pty Ltd. shall not be liable for incidental or consequential damages in connection with or arising out of the use of this document and the program material.

©Comfortel Furniture. All rights are reserved. No part of this document may be photocopied, reproduced or translated to another language without written consent of Comfortel Furniture Pty Ltd.

PLEASE RETAIN THIS INFORMATION FOR FUTURE REFERENCE

WARRANTY PERIOD

TERMS AND CONDITIONS: For more information about our warranty, please refer to our website:

WARRANTY



PURCHASE DATE

INVOICE NUMBER

NOTE YOUR PURCHASE DATE & INVOICE NUMBER FOR FUTURE REFERENCE