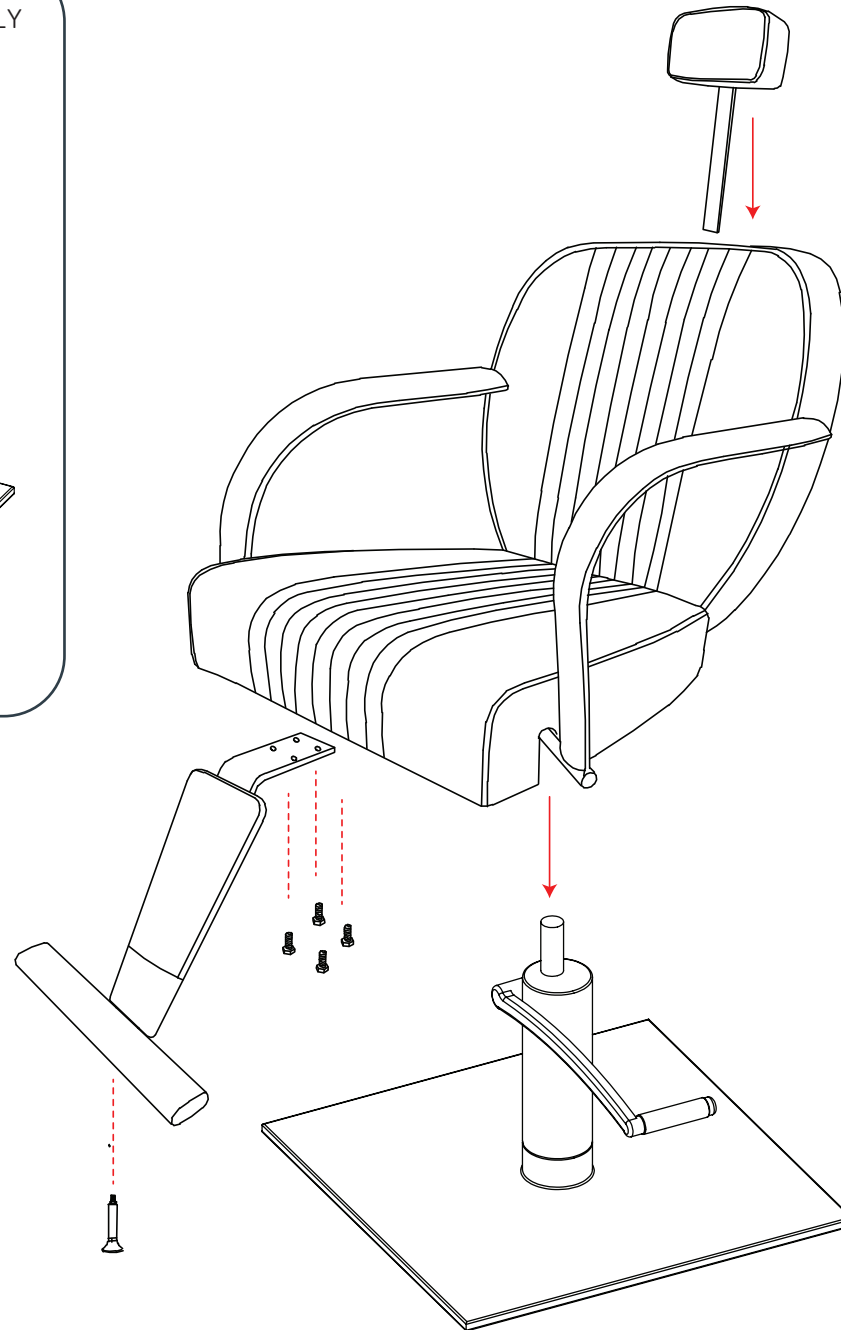
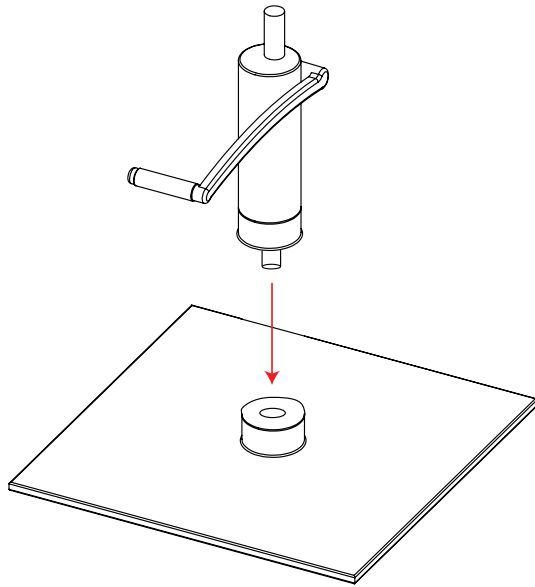


HYDRAULIC LIFT PUMP & BASE ASSEMBLY



comfortel

lara reclining chair

MAINTENANCE

A periodic inspection of all components and fasteners should be made to ensure that your Comfortel product is structurally intact and functioning properly.

Damaged and broken parts should be replaced and loose fasteners tightened.

All maintenance to be carried out by a suitably qualified tradesperson.

CLEANING

- Clean regularly with everyday household cleaners.
- Dry with clean soft cloth
(never use abrasive cleaners)

Do not use:

- acetone
- bleach
- abrasive cleaners
- furniture polishes
- detergent
- steel wool

PRODUCT CODE

#6240-41 LARA RECLINING SALON CHAIR

©Comfortel Furniture. All rights are reserved. No part of this document may be photocopied, reproduced or translated to another language without written consent of Comfortel Furniture Pty Ltd.