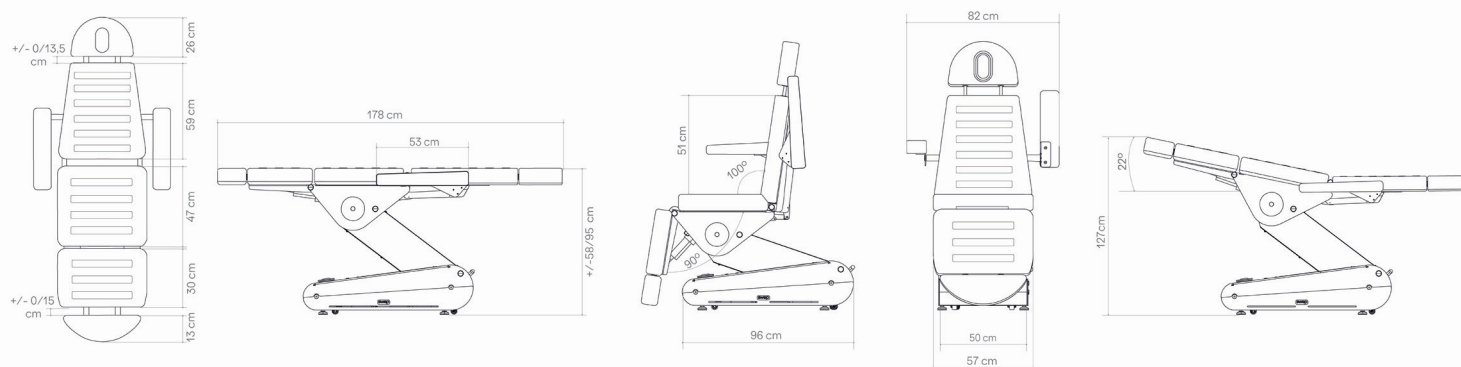


Dimensions



General Specifications

MOTORS
4 engines

DIMENSIONS (LENGTH X WIDTH)
178 x 88 cm

HEIGHT (MIN. AND MAX.)
58/95 cm

WEIGHT
100 kg

THICKNESS
10 cm

DENSITY
40 kg/m³

LIFTING CAPACITY
160 kg

OPERATION
Hand controller (included)/
Foot controller (optional)

POWER SUPPLY
100-240 V - 50/60 Hz

MAX. INTENSITY
6.5 A

ELECTRIC MOTOR
6.000 N

WARRANTY
2 years on table and
upholstery

CUSHION

Naggura Skin upholstery:
100% vinyl compound in
white or grey.

Abrasion resistance:
>150.000 cycles.
Protection against germs
and UV rays.
Fire retardant: BS 7176.