

SWOP 2L STARTER

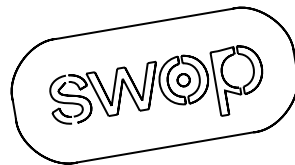
Instruction Manual

Treatment Table

SWOP2LM.1.AXX.ST



SCAN HERE
to read the
manual in
other
languages















VERSION 1.3

Instruction Manual

Treatment Table

Table of contents

-  1. Introduction
-  2. Use of the manual
-  3. Warranty
-  4. Product Liability
-  5. EC Declaration of conformity
-  6. Safety instructions
-  7. Dimensions
-  8. Features & Operation
 - Wheels
 - Levelling feet
 - Gas piston lever
 - Breather hole and plug
 - Handlebar support
 - Hand controller
 - Foot controller
 - Paper roll holder
 - Bamboo sound system
-  9. Maintenance and cleaning
-  10. Troubleshooting
-  11. Service
-  12. EMC Guidance



1. Introduction

CONGRATULATIONS! You took NAGGURA home!

Thank you for having acquired a NAGGURA product and for the trust shown in us.

We are sure that this medical examination table will turn into the pillar of your work and will more than fulfil your most demanding work requirements. NAGGURA's experts are in the lead of a project created with great devotion. Every single detail has been cared to join technology, performance and design altogether in a single table. Our aim is designing and manufacturing INTUITIVE, DYNAMIC and HIGH-TECH tables of a DARING and UNIQUE design.

Thanks for your choice and start enjoying the NAGGURA experience.

 naggura'



2. Use of the Manual

Before using the treatment table, please read the instruction manual carefully. It is important to keep this manual and store it in a safe place so that it can be consulted at any time.

By carefully following these instructions you will be able to avoid any problems in using the treatment table.

Some texts and/or illustrations may not belong to your Naggura table since they are general and it depends on your product choice at the purchase time.



3. Warranty

The warranty period is effective on the date of purchase of the treatment table for a period of two (2) years. It covers all the components of the treatment table under the normal and correct use. It also covers defects in workmanship from factory.

The above-mentioned warranty does not cover defects or malfunction caused by:

- Misuse, abuse or improper maintenance of the table and its upholstery;
- Non-observance of the precautions and warnings stated in this instruction manual;
- Lack of maintenance or repair tasks carried out by non-qualified service personnel who are unauthorized by the manufacturer;
- Wrong and faulty electrical installations or which do not fulfil the legal requirements;
- Naggura company is not liable for incidental or consequential damage to property or business.



4. Product Liability

Under any circumstances, the producer shall be liable for any indirect, special, incidental or consequential damage incurred by the user, the patient or the table itself as a result of:

- a. A wrong diagnosis;
- b. Incorrect use of the table or any of its accessories;
- c. The wrong interpretation or non-observance of this user manual;
- d. A lack of maintenance of the table;
- e. Or maintenance works of the table and/or repairs performed by persons unauthorized to do so by the manufacturer.

According to the current legislation, the manufacturer cannot be held responsible for any flaws in the table or its components and accessories after a period of ten (10) years from the date on which the producer puts into circulation the actual product. Therefore, producer cannot be obliged to supply any spare parts or accessories for this table.

Expected lifespan

Provided that the operator and user takes care of the table and undertakes regular maintenance tasks as described in section 9 of the current manual, the expected lifespan of the Naggura table can reach over 10 years from production date.

The intended use of the Treatment Table is to position a patient for the treatment. The unit is intended for use by qualified professional within a professional setting.



5. EC Declaration of conformity

Naggura products are produced and marked in conformity with the directives hereby stated :

Low voltage : 2014/35/CE

Electromagnetic compatibility : 2014/30/CE



These products are manufactured according to the essential requirements established in the European Medical Devices Directive (Annex II+III of Regulation (EU) 2017/745):

EN ISO 14971:2019; EN ISO 204117:2021; EN ISO 15223-1:2016; ISO 10993-1: 2018; EN ISO 10993-5:2009; EN ISO 109933-10:2013; EN 60601-2-52:2010+AC:2011+A1:2015; EN 60601-1-2:2015+A1:2020; EN 60601-1:2006+A1:2013+AC:2014+A12:2014+A2:2020.

The Swop line has a guarantee of two (2) years in all parts. The manufacturer will not be held responsible for the results of maintenance or repairs performed by unauthorised persons. For further information on guarantee terms, please contact your distributor.



6. Safety instructions

Responsibility of the owner

Naggura treatment tables are only meant to be used by professional personnel in physiotherapy, rehabilitation, examination, massage and aesthetics fields.

It is the responsibility of the owner to ensure that training is given to all operators and third parties (like for example cleaning personnel) on safe use of the treatment table, and that they have read and understood all the operating and safety instructions. Only trained operators may use the treatment bed. Please keep the manual in a place where it is easily accessible to all users, and make it an important part of your employee training program.

Safety on installation and electricity

- Place the table in a space with free access from the 4 sides. Do not place the table against the wall or against any obstacles.
- Do not use the table in a high-humidity environment
- Check if the mains voltage and frequency are in accordance with the information on the typeshield. If not, contact your supplier before connecting the device.
- Please pay attention that the continuous working times should be "Max. 2min. ON; 18min. OFF" when operating the motor.
- Make sure that the unit is correctly plugged into an earth intake, following the local and national requirements and standards.
- Make sure that the mains cable is positioned in such a way that it cannot get stuck between the mechanism.
- Especially pay attention that the mains cable does not get pinched under the feet of the table, for example after the tables has been moved on its wheels.
- If the table gets wet accidentally, unplug the table immediately.
- Do not leave children unattended near the table.
- Unless being monitored or instructed by personnel who can be responsible for their personal safety, the people who have physical obstacles, tactile disorders, mental disorders, lack of experience, common sense or children, are not allowed to use the equipment.
- Do not use the device near electromagnetic transmitters. Read and follow all the information about electromagnetic compatibility (EMC) in page 16.
- If the power cord or plug is damaged, please contact the distributor, service center or experienced technicians for repairing.



Safety instructions

Safety during treatments

- Don't let anybody, except the operator and the patient, in the treatment room.
- The table is not intended to transport patients. Therefore it cannot be used for this purpose.
- Do not sit on the head section or end of the leg section of the table. The head section and armrests are not suitable to sit on.
- Patients are not to be left unattended,
- Never leave the table on its wheels during the treatment.
- Do not exceed the maximum load capacity of the table.
- Place the table on a stable and horizontal surface. Level it if necessary with the levelling feet under the table.
- Guide the backrest section with the other hand when adjusting the backrest by gas levers.
- Ensure that neither the patient nor the operator can get any part of the body or clothes trapped between the moving parts of the mechanism when the table is being raised or lowered.



Safety before or after the treatment

- Do not leave anybody unattended alone near the table.
- Disconnect the table if not used for a long period of time.

Safety when cleaning the bed or the therapy room

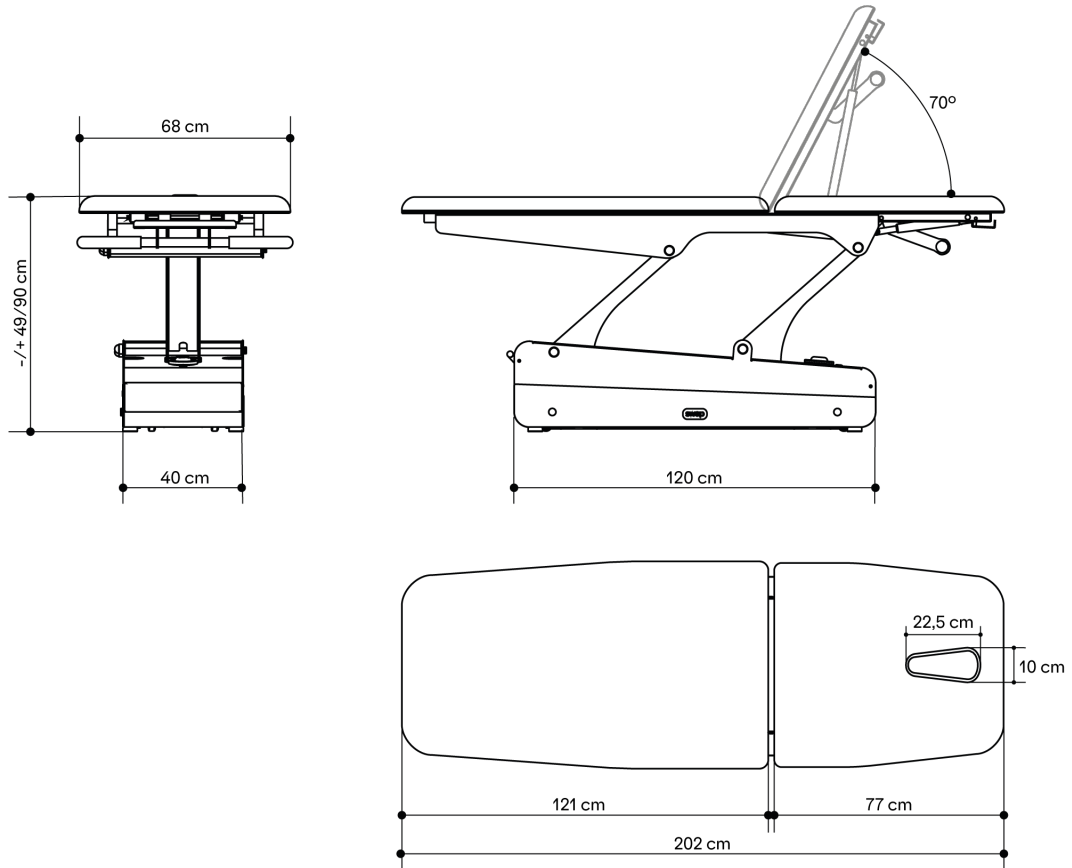
- Disconnect the table from the power supply.
- Do not get under the table or between its moving parts.



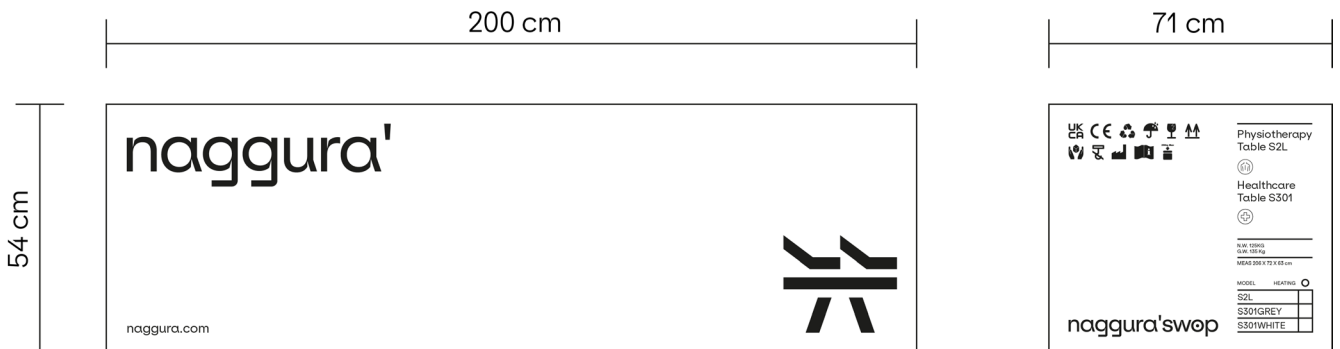


7. Product dimensions

Swop 2L Starter



Package dimensions (cm)



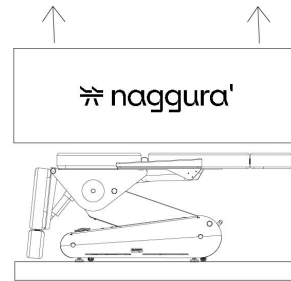


Handling and transport

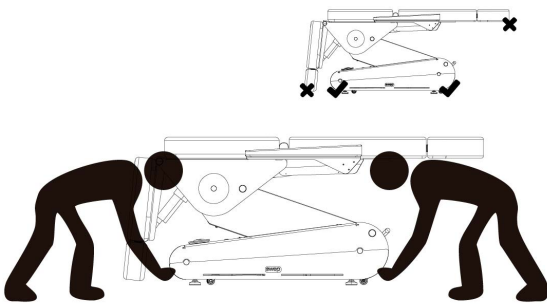
①



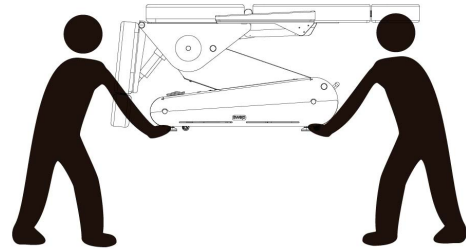
②



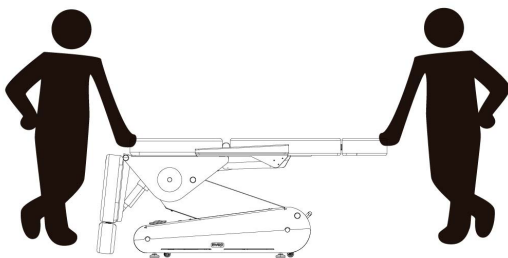
③



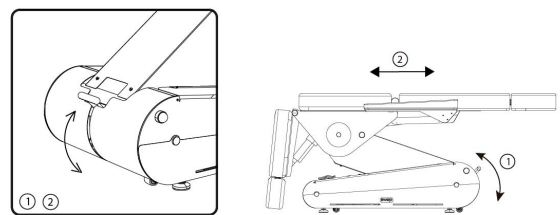
④



⑤



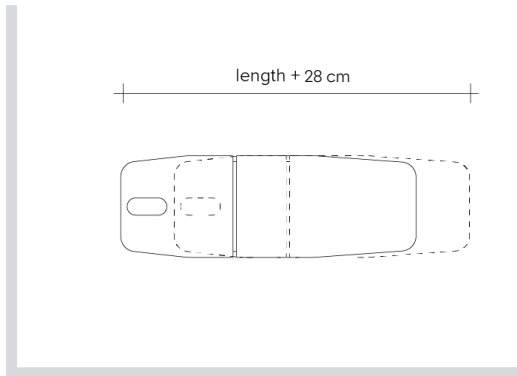
⑥



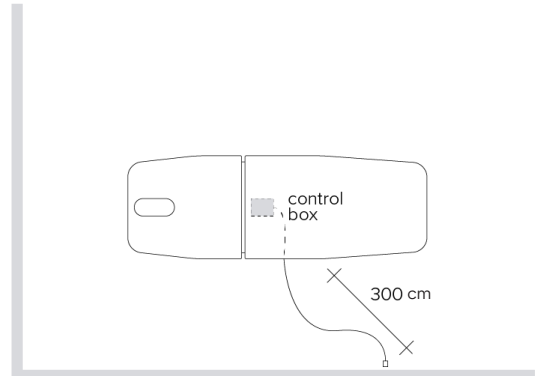


Product dimensions

Lateral displacement (cm)



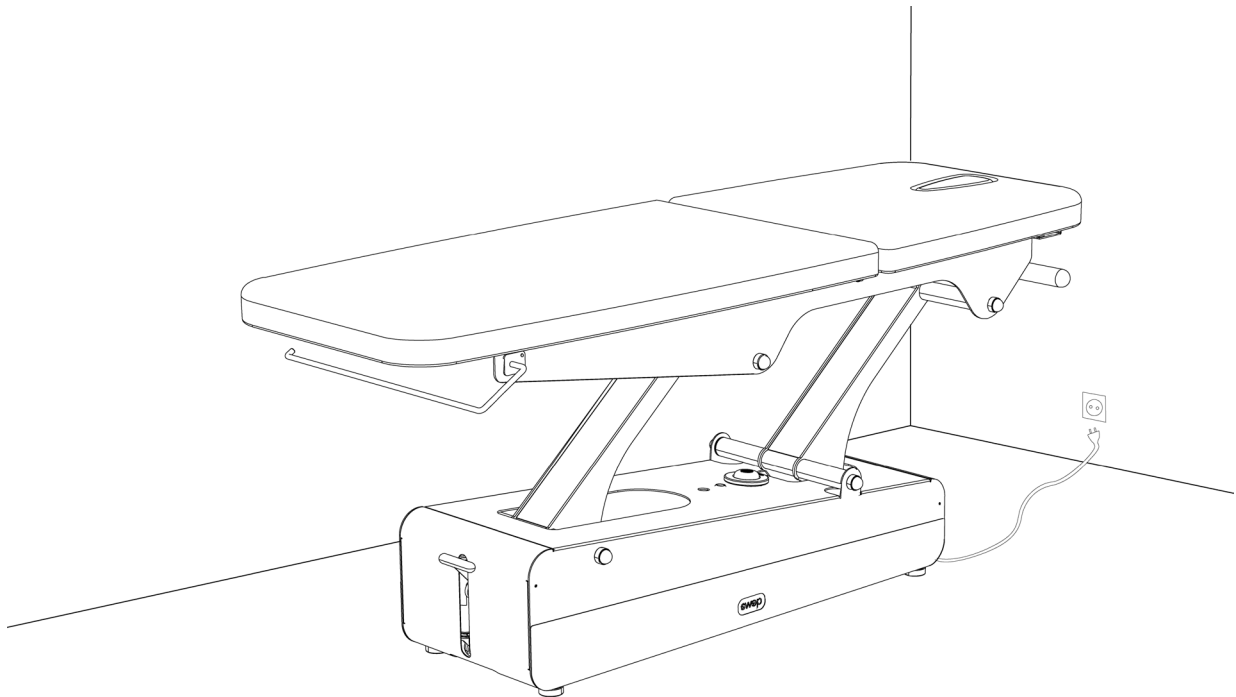
Power cord length(cm)



8. Operation

Power input

Voltage and frequency input shall be 220-240V, 50/60Hz. Plug the table cable into the socket as shown below:

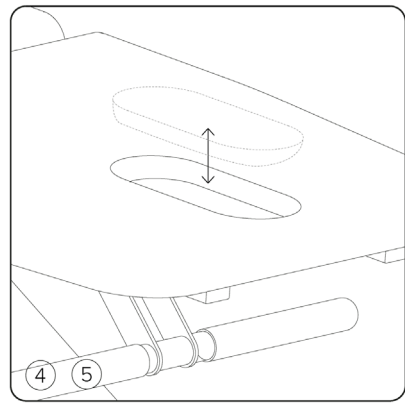
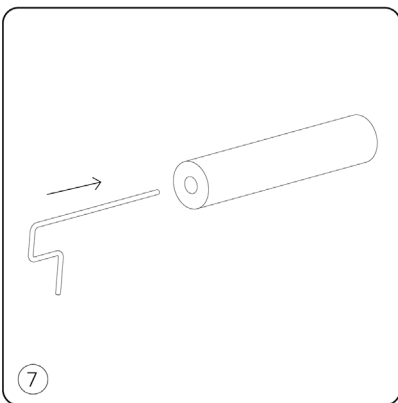
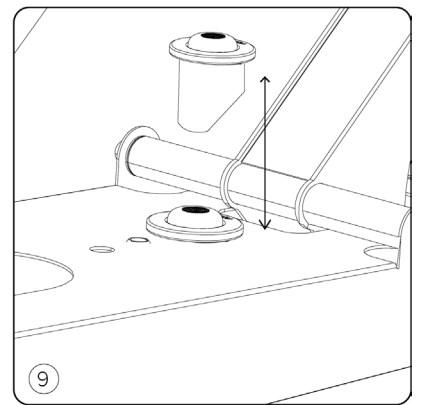
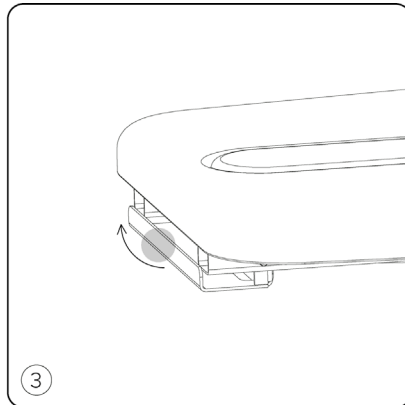
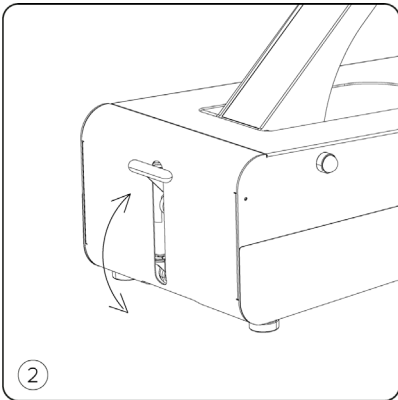
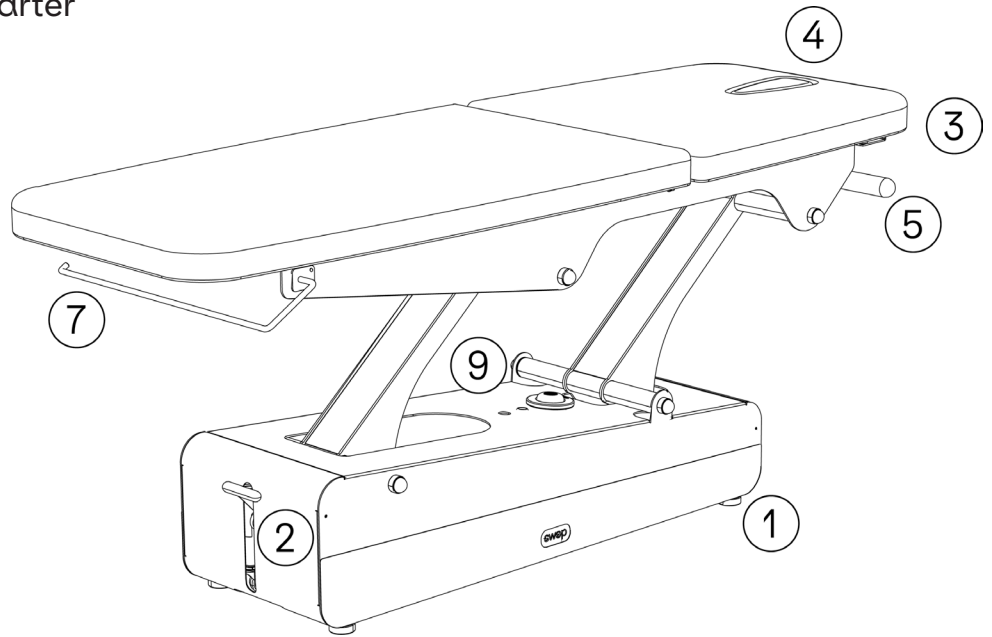




Operation of Swop 2L Starter

1. Levelling feet
2. Lever & wheels
3. Gas piston lever
4. Breather hole and plug
5. Handlebar support
6. Hand controller
7. Paper roll holder
8. Foot controller.
9. Bamboo sound system

Optional





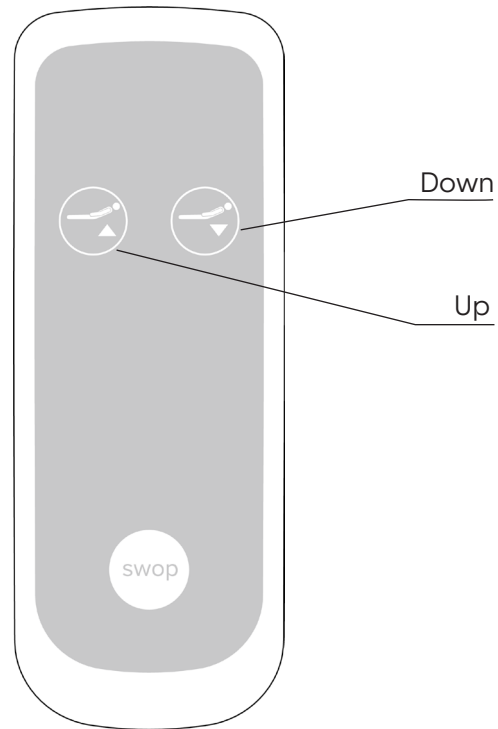
Operation

Hand controller

⑥

The height of the table can be adjusted using the hand controller equipped as standard. To lift the table, simply push the UP button on the hand switch. Once the desired height is achieved, release the button. To lower the table, do the same operation with the DOWN button.

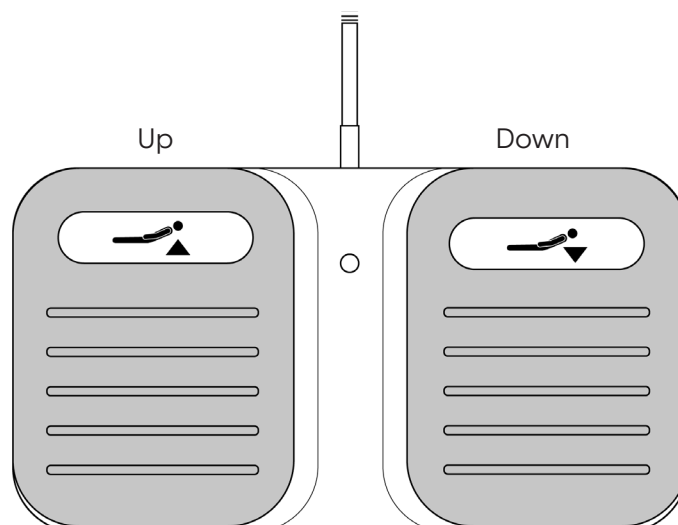
You can hang the hand controller on the hooks placed at both sides of the table to have easy access when its height has to be adjusted.



Foot controller

A foot controller is available as an option and it can be ordered separately. To lift the table, simply press the UP button on the foot switch. Once the desired height is achieved, release the button. To lower the table, do the same operation with the DOWN button.

In order to use both the hand controller and the foot controller simultaneously, you need a branched cable and you must plug it into the control box. See instructions in the next page.



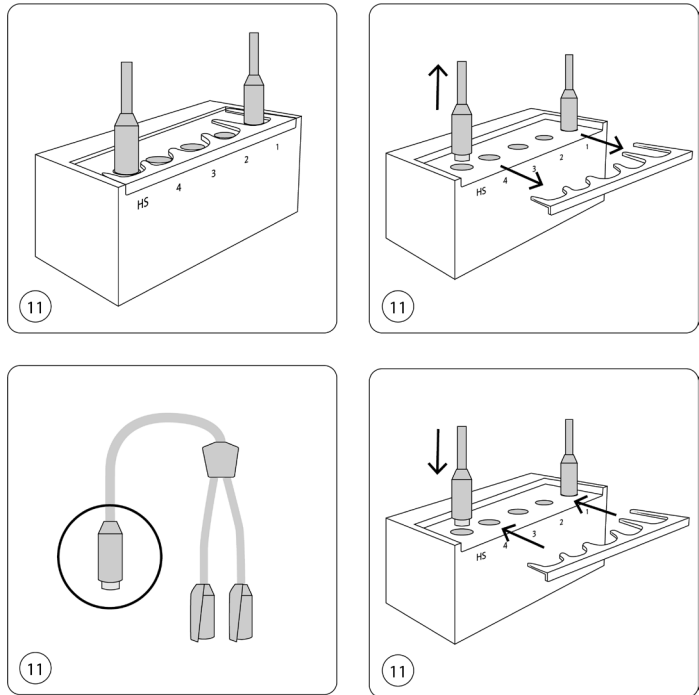


Operation

Connecting the foot controller

Locate the control box inside the table base frame. Take the safety piece that locks the connectors into each plug and disconnect the cable HS. Connect the branched cable in the plug named HS. Place again the safety piece to lock the connectors.

Now you can connect the handcontroller and the foot controller in the two plugs.

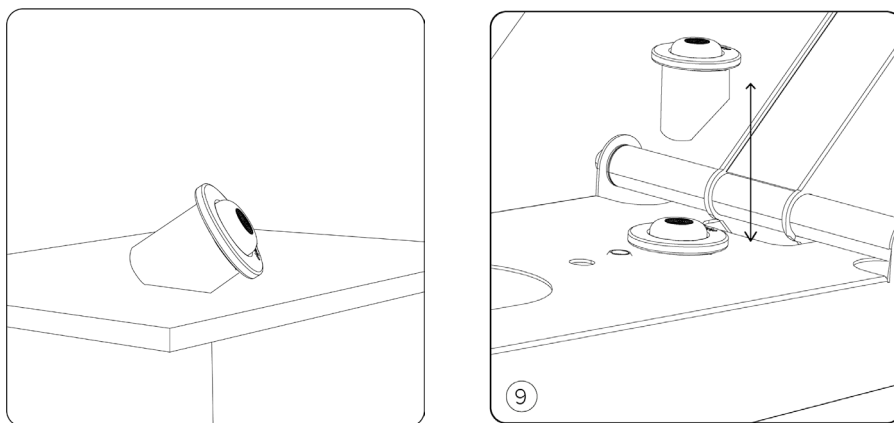


Bamboo sound system ⑩

If you purchased the Bamboo sound system, your swop table arrives with an awesome Bluetooth speaker: we call it the Bamboo sound system.

The speaker is lodged inside a bamboo case with bevelled base. You can place the speaker on the table housing designed for this purpose or take it off and place it on your working table. Thanks to its inclined base you can direct the sound wherever you want to.

The Bluetooth speaker has a USB charger and additional instructions. Please read them carefully.





Operation

Specifications

Product size	202 (+/- 28 cm with movement) x 68 x 49 / 90 cm
Package size	200 x 71 x 54 cm
Highest position	90 cm
Lowest position	49 cm
Net weight	94 Kg
Gross weight	108 Kg
Power	AC 220 - 240V, 50/60Hz
Max power	300W
Environment temperature	0°C - +40°C
Relative humidity	30% - 90%
Loading capacity	200 Kg



9. Maintenance and cleaning



Upholstery Daily Cleaning

It is very important for the life of the upholstery to clean it properly.

- Clean at least once a week to maintain the coating clean and prevent accumulation of dirt and contaminants. This will extend the lifespan of your upholstery
- Clean the entire surface using neutral PH liquid soap and water in circular motions. To do so, use a white clean cloth soaked in the cleansing solution and wring out the wet cloth until all water is removed.
- Dry the surface using a white and clean cloth.
- Never use solvents, detergents and/or cleaning products that are not pH neutral.
- Never use cleaning tools made of plastic, abrasive sponges or hard-bristle brushes.
- **Important:** Lacquers, strong cleaners, xylene-based solutions, acetone or MEK cause immediate damage and contribute to the deterioration of the material. The use of such cleaners is at the owner's risk.

Table Frame Cleaning

Remove dust with a white cloth.

Use alcohol-free cleaning wipes to clean the structure or simply use a white cotton cloth soaked in a mix of water with neutral diluted soap and rinse. Dry with a clean cloth.

Maintenance

Naggura tables have been designed for an intensive use during long time thanks to their stability, reliability and durability.

However, we advise to keep the table in perfect conditions and make a correct use of it. Unplug the table if you will not use it for a long period of time.

Environment information

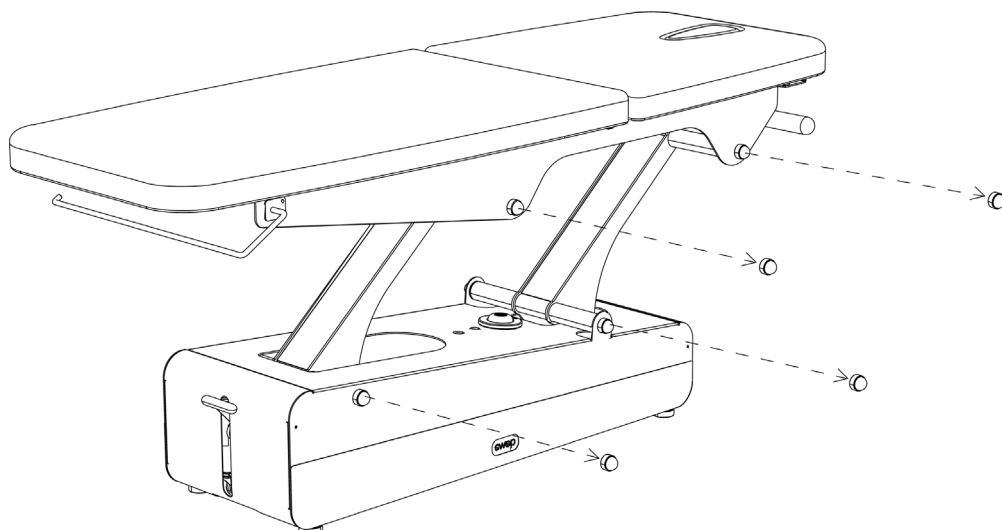
This symbol indicates that some electrical components or materials can be reused and/or are harmful to the environment and thus, they must be properly recycled. Ensure that you are familiar with the local rules and regulations regarding to the disposal of equipment and accessories.



10. Troubleshooting

Squeaking noise when moving the table up & down (mechanical noise)

- The axes are adjusted and greased from factory but with the time and use, they may need some little adjustment. Remove the grey plugs of the 2 connecting rods (4 at each side, so 8 in total). Loosen the axes a little bit by unscrewing them (approx. 2 turns). Apply a bit of neutral grease and plug them again.





Troubleshooting

The backrest moves down alone

The supporting gas lifts are loose.

- In such a case, remove the gas lift from the lower part and loosen it (unscrew it) 2 turns and fix it again. Proceed the same way with the second gas lift.

The back rest is blocked (it can't be lowered nor raised up)

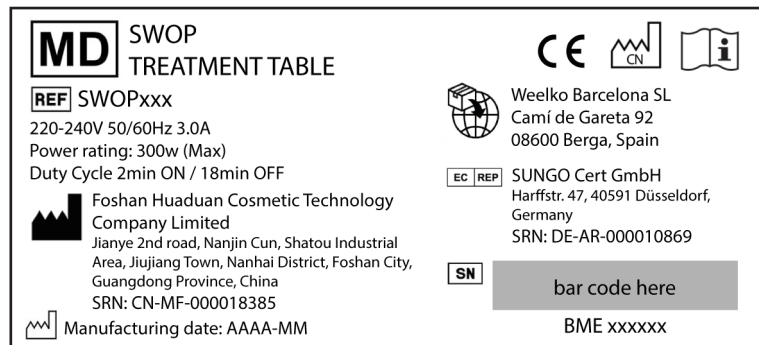
The gas lift activating pin does not activate the lever. Remove the lower side of the gas lift and tighten it (screw it 2 turns until you see that the pin can activate the lever. Proceed the same operation with the second gas lift.

The up and down motor does not work

- Check if the power cable is disconnected, either from the wall socket or the control box.
- Check the power cable for any damage.
- There are 3 possible components that may be faulty: the handcontroller, the control box or the motor itself. Contact your dealer to proceed accordingly.

Persisting problems

If problems persist, please contact your dealer and provide the serial number and model of the table as they appear under the bed.



Serial number



11. Service

Only a technician authorised by Naggura is allowed to perform any kind of repairs on the bed.

If your technical staff is allowed by Naggura to repair the bed, Naggura can provide the necessary instructions and spare parts lists. Please contact your local Naggura distributor for more information.



12. EMC Guidance

Guidance and Manufacturer's Declaration - Electromagnetic Emissions	
Emissions test	Compliance
RF emissions CISPR 11	Group 1
RF emissions CISPR 11	Class A
Harmonic emissions IEC 61000-3-2	Class A
Voltage fluctuations/flicker emissions IEC 61000-3-3	Complies

Warning: It is not safe to operate the device in the presence of HF surgical equipment or places where the intensity of EM disturbances is high.

Warning: Use of this equipment adjacent to or stacked with other equipment should be avoided because it could result in improper operation. If such use is necessary, this device and other equipment should be observed to verify that they are operating normally.

Warning: Use only accessories and cables provided by the manufacturer. Accessories and cables not recommended may affect the EM emissions or immunity.

Warning: Maintain minimum distance of 12 inches (30 cm) between any part of the working table and portable RF communication equipment (including peripherals such as antenna cables and external antennas.) Performance of the table might degrade if proper distance is not maintained.

Guidance and Manufacturer's Declaration - Electromagnetic Immunity		
Immunity Test	IEC 60601-1-2 Test level	Compliance level
Electrostatic discharge (ESD) IEC 61000-4-2	±8 kV contact ±2 kV, ±4 kV, ±kV, ±15 kV air	±8 kV contact ±2 kV, ±4 kV, ±kV, ±15 kV air
Electrical fast transient /burst IEC 61000-4-4	±2 kV for power supply lines ±1 kV for input/output lines	±2 kV for power supply lines ±1 kV for input/output lines
Surge IEC61000-4-5	±1 kV line(s) to line(s) ±2 kV line(s) to earth	±1 kV line(s) to line(s) ±2 kV line(s) to earth
Voltage dips, short interruptions and voltage variations on power supply input lines IEC 61000-4-11	0% U; 0.5 cycle T at 0°, 45°, 90°, 135°, 180°, 225°, 270°, 315° 0% UT; 1 cycle 70% UT; 25/30 cycle 0% U; 250/300 cycle	0% U; 0.5 cycle T at 0°, 45°, 90°, 135°, 180°, 225°, 270°, 315° 0% UT; 1 cycle 70% UT; 25/30 cycle 0% U; 250/300 cycle
Power frequency (50/60 Hz) Magnetic field IEC61000-4-8	30 A/m 50Hz/60Hz	30 A/m 50Hz/60Hz
Conducted RF IEC61000-4-6	3 V r.m.s. 150 kHz to 80 MHz 6 V RMS in the ISM bands between 0.15 MHz and 80 MHz	3 V r.m.s. 150 kHz to 80 MHz 6 V RMS in the ISM bands between 0.15 MHz and 80 MHz
Radiated RF IEC61000-4-3	3 V/m 80 MHz - 2,7 GHz 80% AM at 1 kHz	3 V/m 80 MHz - 2,7 GHz 80% AM at 1 kHz
NOTE: UT is the a.c. mains voltage prior to application of the test level.		

Test Specifications for enclosure port immunity to RF wireless communications equipment					
Immunity Test	IEC60601 test level				Compliance level
	Test frequency	Modulation	Maximum power	Immunity level	
Radiated RF IEC 61000-4-3	385 MHz	**Pulse Modulation: 18Hz	1.8W	27 V/m	27 V/m
	450 MHz	*FM+ 5Hz derivation: 1kHz sine	2W	28 V/m	28 V/m
	710 MHz 745 MHz 780 MHz	**Pulse Modulation: 217Hz	0.2W	9 V/m	9 V/m
	810 MHz 870 MHz 930 MHz	**Pulse Modulation: 18Hz	2W	28 V/m	28 V/m
	1720 MHz 1845 MHz 1970 MHz	**Pulse Modulation: 217Hz	2W	28 V/m	28 V/m
	2450 MHz	**Pulse Modulation: 217Hz	2W	28 V/m	28 V/m
	5240 MHz 5500 MHz 5785 MHz	**Pulse Modulation: 217Hz	0.2W	9 V/m	9 V/m
<p>Note* - As an alternative to FM modulation, 50% pulse modulation at 18 Hz may be used even if it does not represent actual modulation.</p> <p>Note** - The carrier shall be modulated using a 50% duty cycle square wave signal.</p>					



Our products are subject to continuous technical improvements. Naggura reserves the right to change or modify the product and contents without prior notice.

naggura'

Pol. Ind. La Valldan
Camí de Garreta, 92
08600 Berga
Barcelona - Spain
T. +34 93 824 90 20
E. info@naggura.com