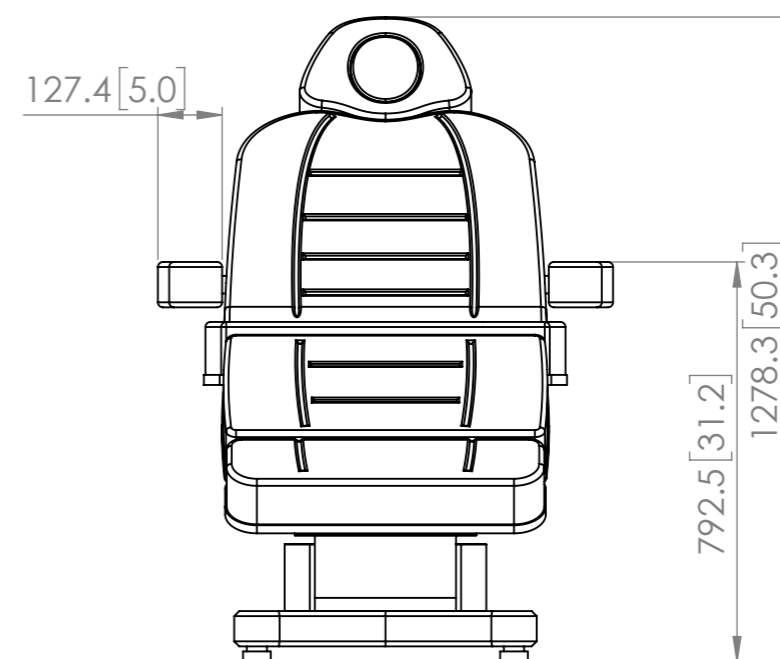
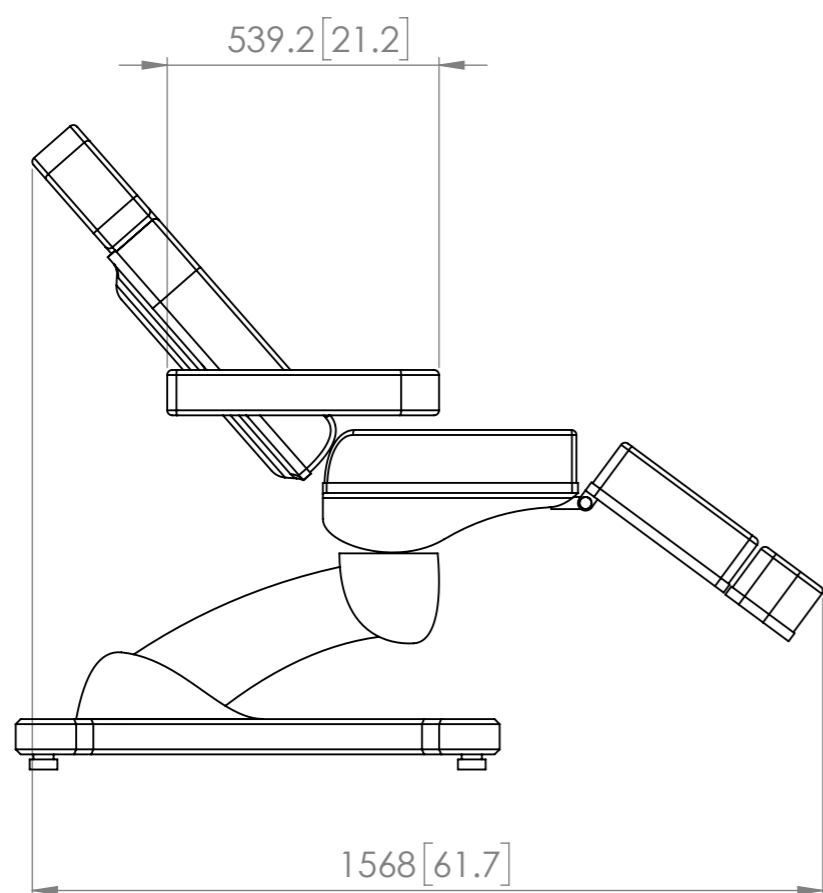
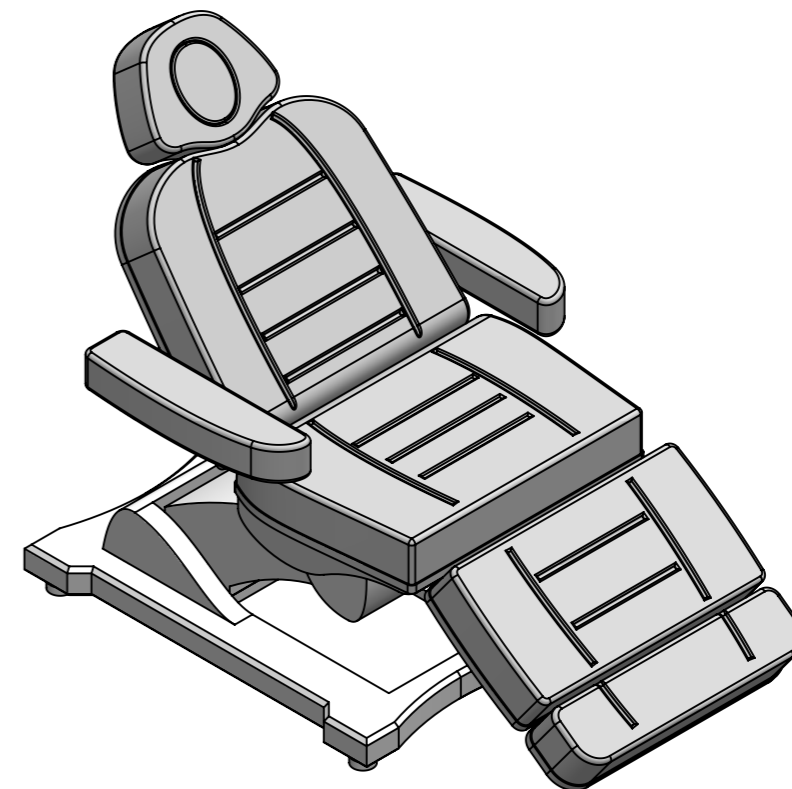
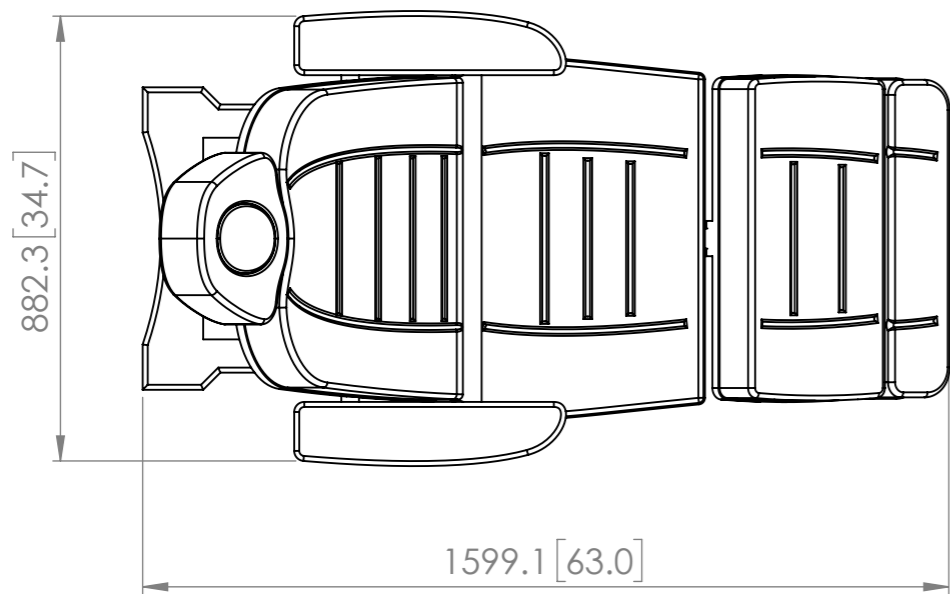


comfortel

TREATMENT TABLE  
GEMINI II TREATMENT TABLE

PART No.  
#6004  
ALL DIMENSIONS IN MM [IN]



comfortel

TREATMENT TABLE  
GEMINI II TREATMENT TABLE

PART No.  
#6004

ALL DIMENSIONS IN MM [IN]