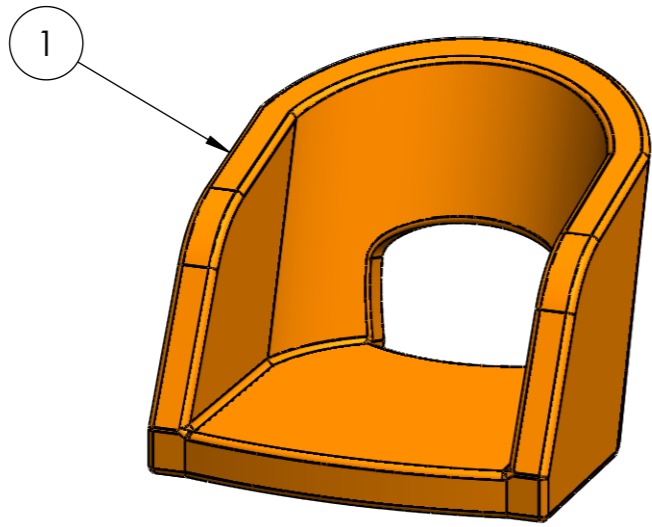


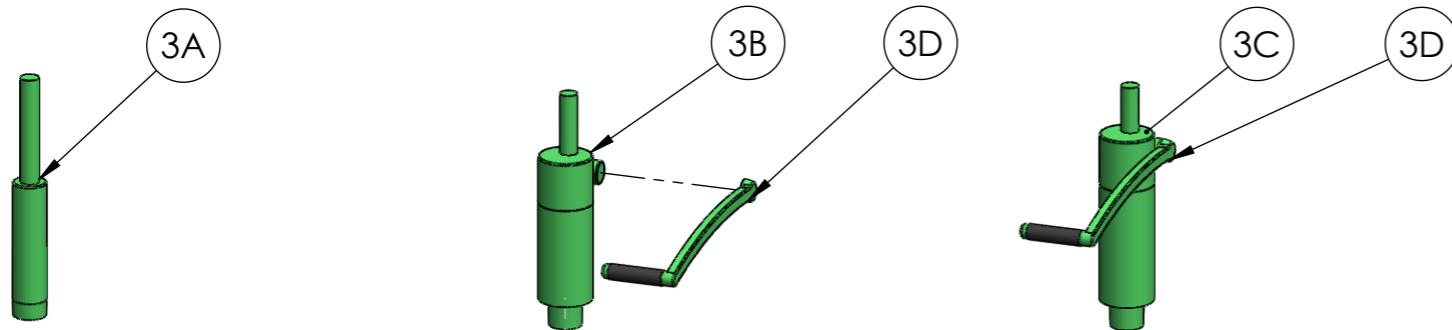
CHAIR TOP OPTION



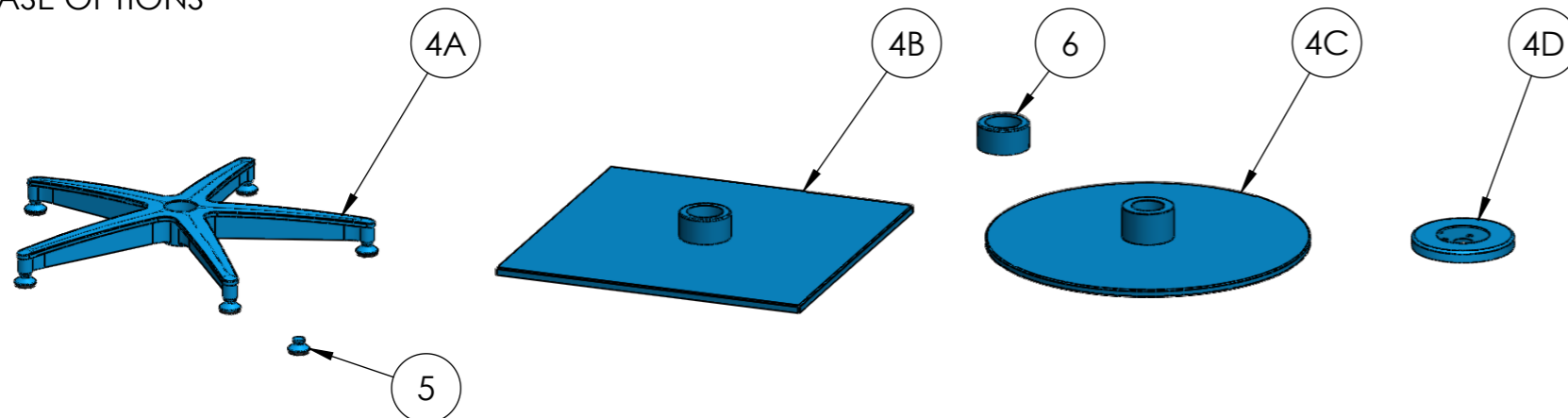
CHAIR PLATE OPTIONS



LIFT OPTIONS



BASE OPTIONS



ITEM NO.	PART NAME	PART NO.	QTY.
1	Stacey Chair Top	4695	1
2	Canadian Plate	4-PLATECANADA	1
2A	Canadian Plate - Lever Only	4-PLATECANADAL	1
3A	Gas Lift (170mm) - Black	4-GAS170BL	1
	Gas Lift (170mm) - Chrome	4-GASC170	1
3B	Hydraulic Standard (125mm) - Aluminium	4810	1
	Hydraulic Standard (125mm) - Black	4812	1
	Hydraulic Standard (125mm) - White	4813	1
3C	Hydraulic Extra Tall (165mm) - Aluminium	4811	1
	Hydraulic Extra Tall (165mm) - Black	4814	1
3D	Hydraulic Lever - L Shape Chrome	4805-L	1
	Hydraulic Lever - L Shape Black	4805-LB	1
4A	Capital Base - Black	4-BASEMODBLK	1
	Capital Base - Aluminium	4-BASEMODAL	1
	Capital Base - White	4-BASEMODWHT	1
4B	Omega Square Base - Brushed	4-BASEFSB1	1
4C	Omega Round Base - Brushed	4-BASEFRB1	1
	Omega Round Base - Black	4-BASEOBR	1
	Omega Round Base - Black XL	4-BASEOBRXL	1
4D	Bolt Down Base	4-BASEBOLT	1
5	Capital Base - Glide Single - Aluminium	4-BASEMODGL	5
	Capital Base - Glide Single - Black	4-BASEMODGLBK	5
6	Omega Collar - Brushed	4-BASEOBR-BC	1
	Omega Collar - Black	4-BASEFRB1-CC	1

comfortel

PRODUCT NO: #4695

ALL DESIGNS SHOWN ARE REGISTERED AND COPYRIGHTED TO COMFTEL PTY LTD ALL RIGHTS RESERVED. THESE DESIGNS ARE CONFIDENTIAL AND ARE NOT TO BE USED OR SHOWN TO A THIRD PART WITHOUT EXPRESSED WRITTEN AUTHORIZATION BY COMFTEL. ALL DESIGNS REMAIN THE SOLE PROPERTY OF COMFTEL AND ANY UNAUTHORIZED USE OF THESE DESIGNS WILL BE CONSIDERED AN INFRINGEMENT OF COPYRIGHT AND WILL BE PROSECUTED.

TITLE: STACEY