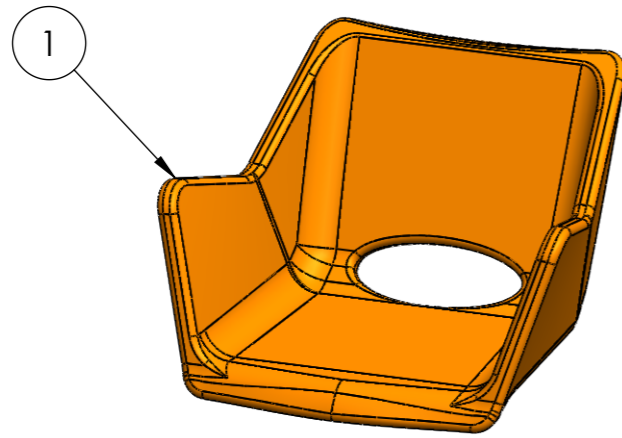
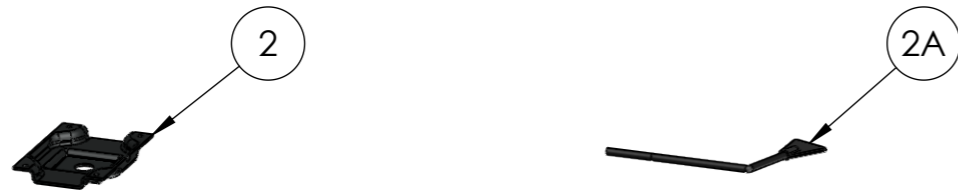


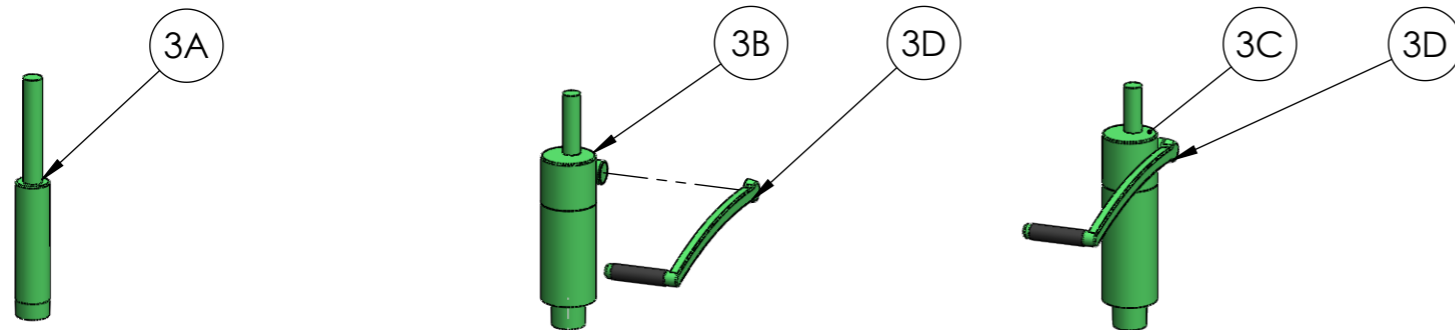
CHAIR TOP OPTION



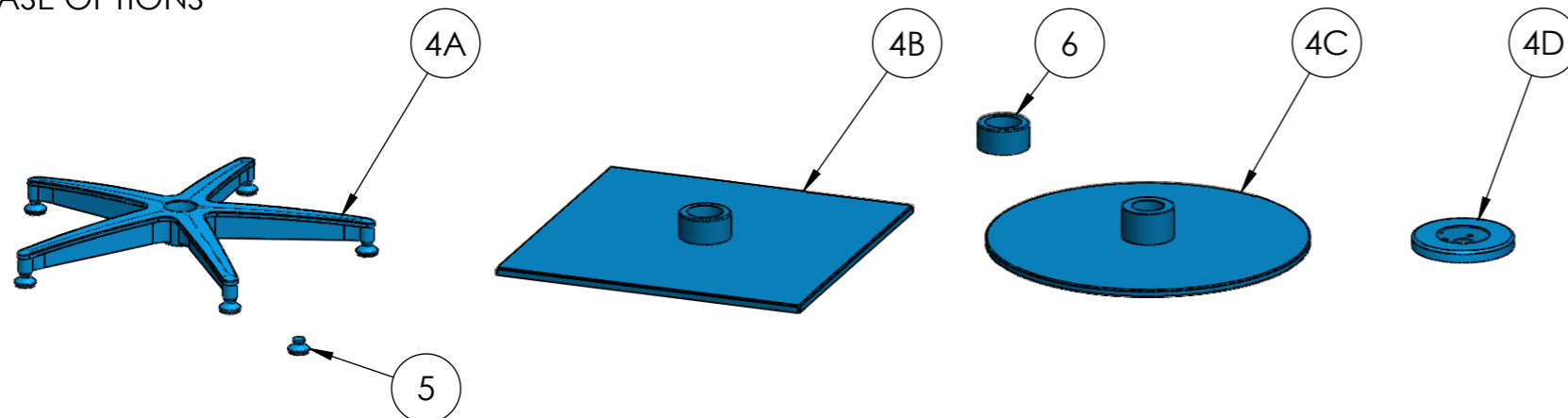
CHAIR PLATE OPTIONS



LIFT OPTIONS



BASE OPTIONS



ITEM NO.	PART NAME	PART NO.	QTY.
1	Chloe Chair Top	4360 or 4361	1
2	Canadian Plate	4-PLATECANADA	1
2A	Canadian Plate - Lever Only	4-PLATECANADAL	1
3A	Gas Lift (170mm) - Black	4-GAS170BL	1
	Gas Lift (170mm) - Chrome	4-GASC170	1
3B	Hydraulic Standard (125mm) - Aluminium	4810	1
	Hydraulic Standard (125mm) - Black	4812	1
	Hydraulic Standard (125mm) - White	4813	1
3C	Hydraulic Extra Tall (165mm) - Aluminium	4811	1
	Hydraulic Extra Tall (165mm) - Black	4814	1
3D	Hydraulic Lever - L Shape Chrome	4805-L	1
	Hydraulic Lever - L Shape Black	4805-LB	1
4A	Capital Base - Black	4-BASEMODBLK	1
	Capital Base - Aluminium	4-BASEMODAL	1
	Capital Base - White	4-BASEMODWHT	1
4B	Omega Square Base - Brushed	4-BASEFSB1	1
4C	Omega Round Base - Brushed	4-BASEFRB1	1
	Omega Round Base - Black	4-BASEOBR	1
	Omega Round Base - Black XL	4-BASEOBRXL	1
4D	Bolt Down Base	4-BASEBOLT	1
5	Capital Base - Glide Single - Aluminium	4-BASEMODGL	5
	Capital Base - Glide Single - Black	4-BASEMODGLBK	5
6	Omega Collar - Brushed	4-BASEOBR-BC	1
	Omega Collar - Black	4-BASEFRB1-CC	1

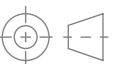
comfortel

PRODUCT NO: #4360

ALL DESIGNS SHOWN ARE REGISTERED AND COPYRIGHTED TO COMFORTEL PTY LTD ALL RIGHTS RESERVED. THESE DESIGNS ARE CONFIDENTIAL AND ARE NOT TO BE USED OR SHOWN TO A THIRD PART WITHOUT EXPRESSED WRITTEN AUTHORIZATION BY COMFORTEL. ALL DESIGNS REMAIN THE SOLE PROPERTY OF COMFORTEL AND ANY UNAUTHORIZED USE OF THESE DESIGNS WILL BE CONSIDERED AN INFRINGEMENT OF COPYRIGHT AND WILL BE PROSECUTED.

TITLE: CHLOE

UNLESS OTHERWISE SPECIFIED: DIMENSIONS ARE IN mm [IN]



DO NOT SCALE DRAWING

DATE 14/05/21

A3

SCALE:1:11

SHEET 1 OF 1