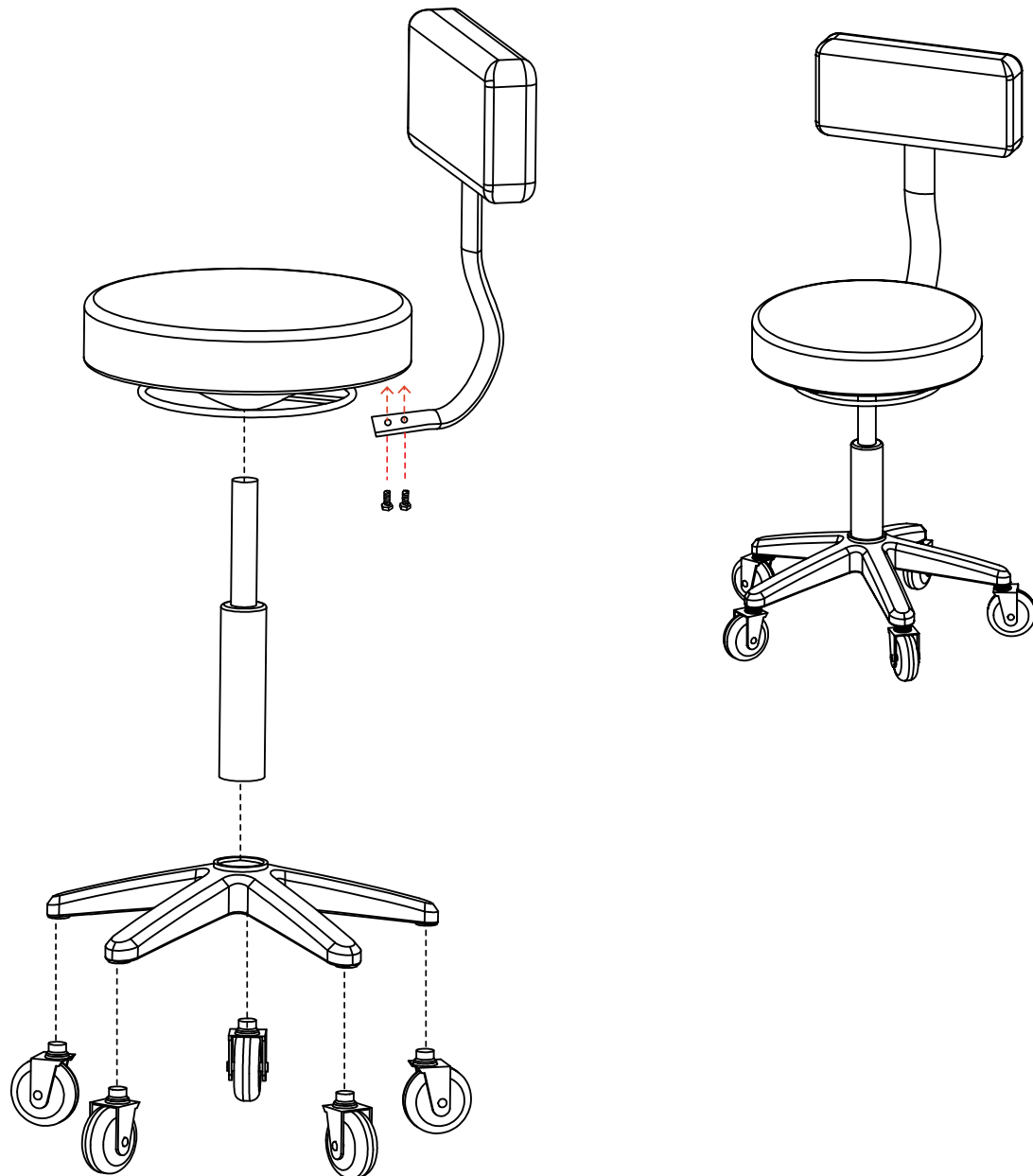


# superior salon stool



## CLEANING & MAINTENANCE

- Wipe with a clean colourfast cloth dampened with mild alkaline free soap and luke warm water. Do not wet excessively.
- Remove all traces of any cleaning product by wiping with fresh water and a clean cloth.
- Dry with a soft, clean cloth.
- Stubborn grime may require gentle scrubbing with a soft brush.

### Do not use:

- hot or boiling water
- hydrocarbons including alcohol
- acetone
- furniture polishes
- bleach
- steel wool
- concentrated detergents
- abrasive powder or paste cleaner
- silicon or petroleum-based cleaners
- solvent based or abrasive cleaning agents

A periodic inspection of all components and fasteners should be made to ensure that your salon chair is structurally intact and functioning properly.

for more help, tips & solutions go to  
[help.comfortel.com.au](http://help.comfortel.com.au)

### PRODUCT CODE

- #3501.01.W SUPERIOR STOOL WHITE
- #3501.01.B SUPERIOR STOOL BLACK
- #3550.01.A ALUMINIUM BASE
- #3550.02.B BLACK BASE

©Comfortel Furniture. All rights are reserved. No part of this document may be photocopied, reproduced or translated to another language without written consent of Comfortel Furniture.