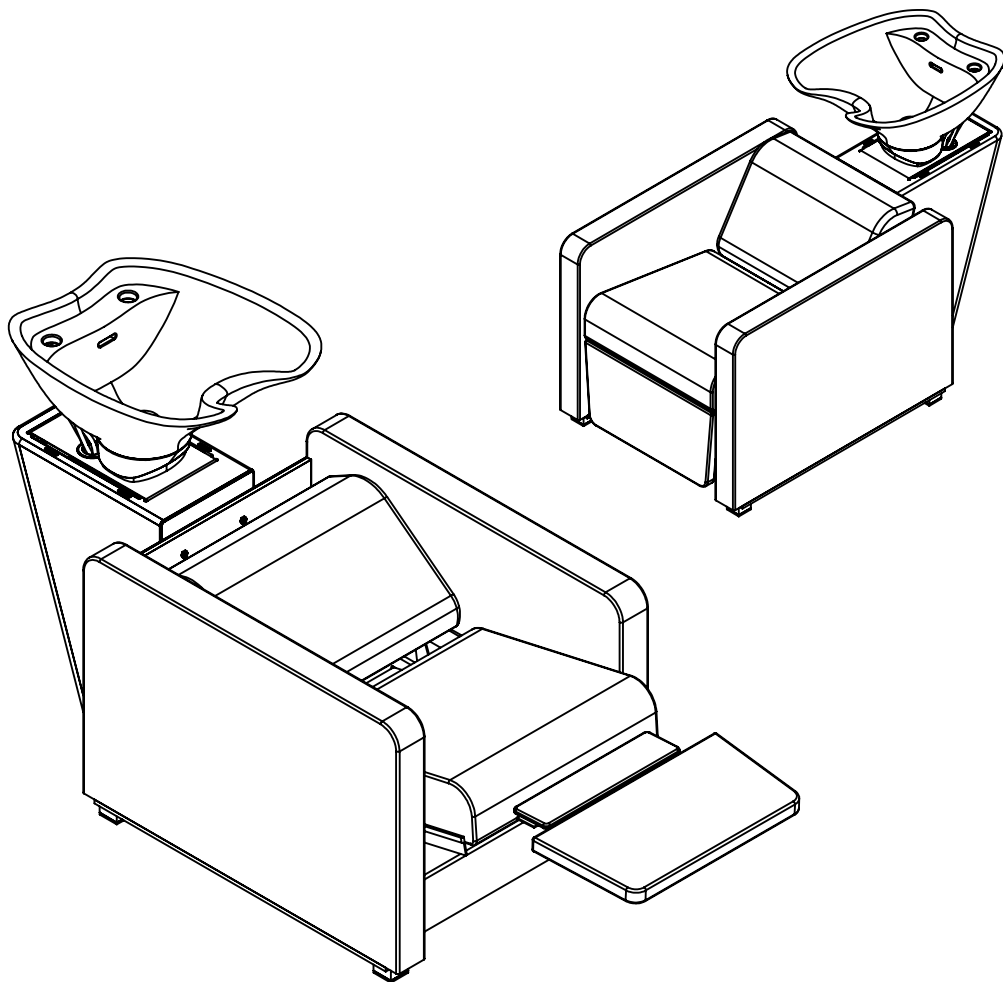


# kira II

#1550.02 KIRA II ELECTRIC RECLINING WASHLOUNGE WITH MASSAGE





## IMPORTANT PLEASE READ THESE SAFETY INSTRUCTIONS

Listed below are important safety precautions:

### GENERAL SAFETY

- Read and retain these instructions in a secure location.
- Use the product only for its intended purpose and avoid using attachments not recommended by the manufacturer.
- Do not use the product outdoors.

### PLUMBING

Ensure that a licensed plumber handles the plumbing installation of this unit.



#### IMPORTANT

DO NOT ALLOW CHILDREN AROUND THE UNIT WHEN IN USE



#### IMPORTANT

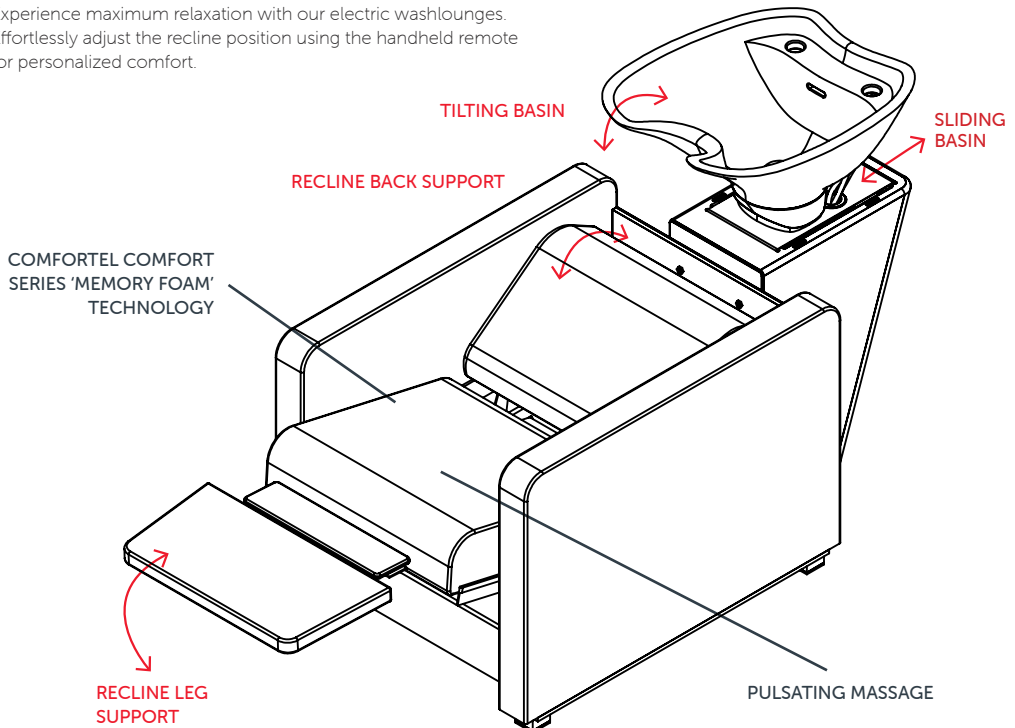
DO NOT ALLOW CHILDREN TO OPERATE THE ELECTRIC MOTORS THAT MOVE THE UNIT

### ELECTRICAL APPLIANCE SAFETY GUIDELINES

- Professional Installation: Have a qualified electrician install all power outlets (GPO's) according to local electrical standards.
- Power Off and Unplug: Always turn off the power and remove the plug when the appliance is not in use.
- Cleaning Precautions: Prior to cleaning chair cushions, power off and unplug the appliance.
- Cord Protection: Avoid damaging the power cord by avoiding twisting, pulling, or pinching.
- Heat Sources: Keep the power cord away from heat sources to prevent potential damage.
- Extension Cord Safety: If needed, use an extension cord that complies with local electrical safety standards.
- Cord Inspection: Regularly inspect the power cord for signs of damage. Discontinue use if any damage is found and arrange for repairs or replacement.
- Damaged Cord Warning: Never operate an electrical item with a damaged power cord. Ensure the cord is in good condition before operating.

## GET STARTED: MEET KIRA

Experience maximum relaxation with our electric washlounges. Effortlessly adjust the recline position using the handheld remote for personalized comfort.



FOR BEST SUPPORT PLEASE ADVISE CLIENT TO SIT WELL BACK INTO THE SEAT.

K I R A

Electric reclining wash lounge with massage.  
Optional basin colour of black or white.

All measurements are  
in mm (inches).

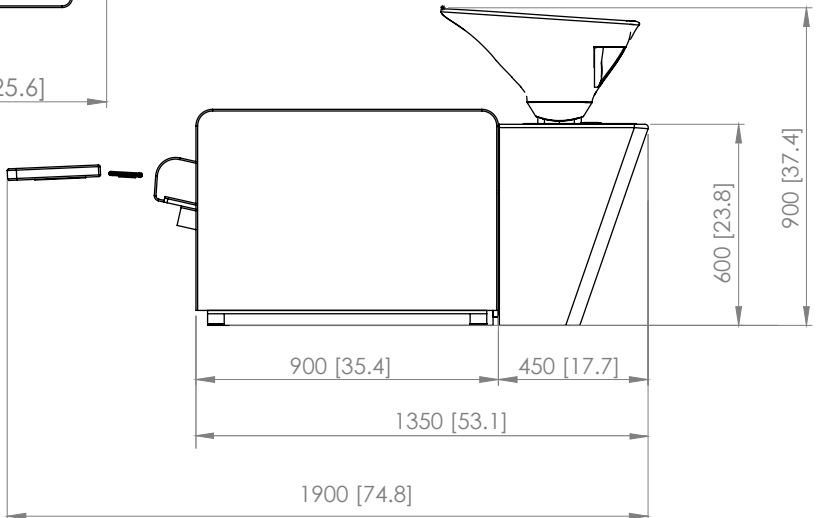
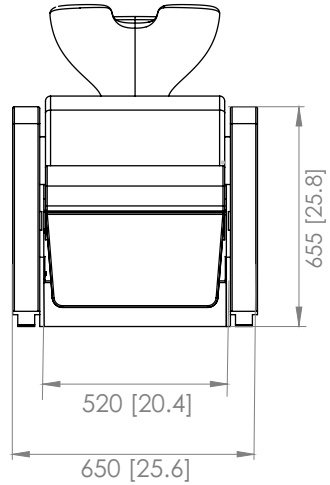
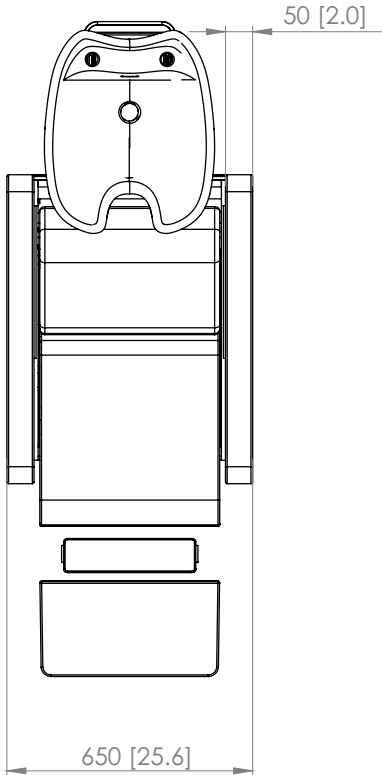
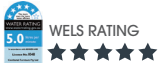


DIAGRAM A

All measurements are in mm (inches).

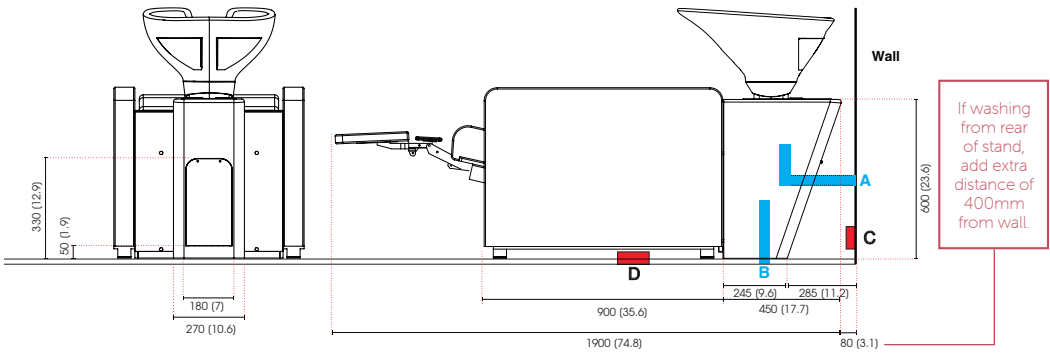
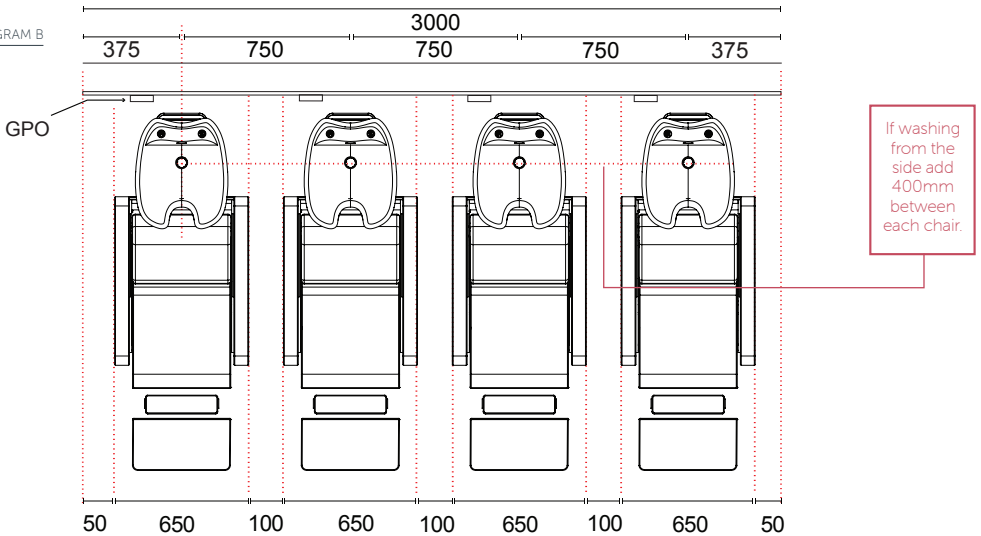


DIAGRAM B



**PLUMBING ACCESS OPTIONS**

Determine the best way to connect plumbing

**OPTION 1: PLUMBING**

From behind the basin stand connect plumbing to the wall. From the back of the stand, plumbing can be installed from a maximum height of 400mm from the floor.

**OPTION 2: PLUMBING**

From under the basin stand connect plumbing to the floor.

**ELECTRICAL ACCESS FOR RECLINE AND MASSAGE**

Determine the best way to connect Power.

**OPTION C+D: POWER OUTLET (GPO)**

Install Power Outlet (GPO) to the wall (option C) or under the chair (option D).

All measurements are in mm.



**CRITICAL PLUMBING NOTICE**

It is mandatory that all plumbing work be carried out exclusively by a licensed plumber.



**IMPORTANT ELECTRICAL SAFETY NOTICE**

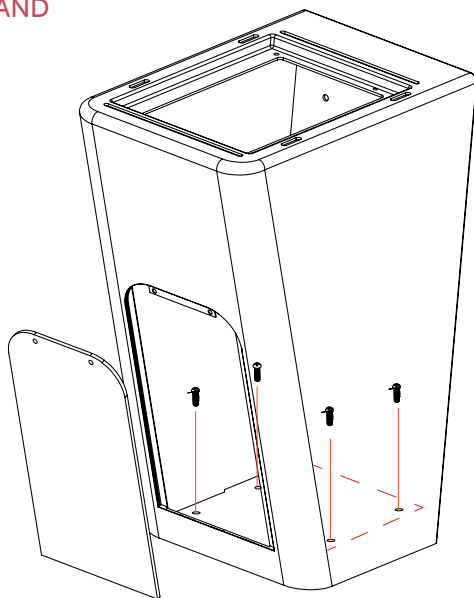
All power outlets (GPO's) must be installed by a licensed electrician in compliance with local electrical standards.

## BEFORE PLUMBING INSTALLATION SECURE AND BOLT DOWN BASIN STAND

Secure the basin stand base to the floor using appropriate fixings (not supplied).

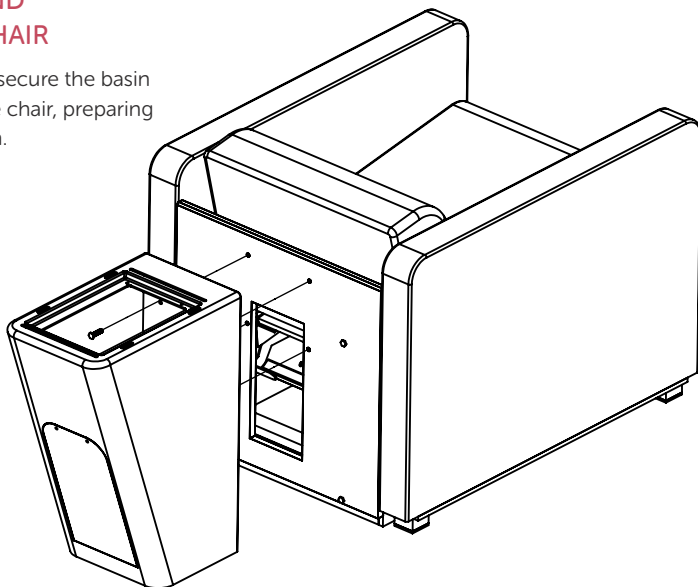


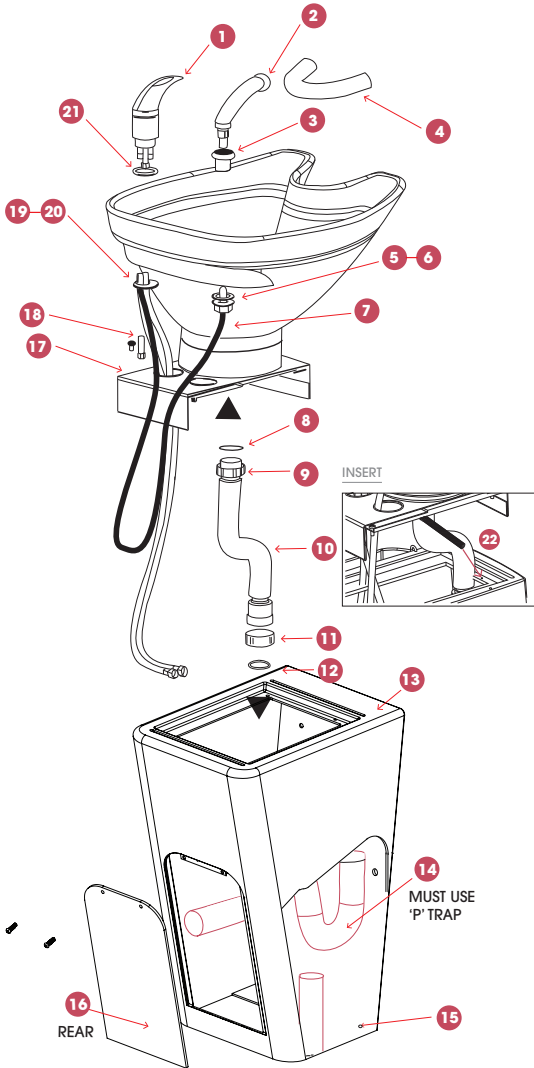
**THE BASIN STAND  
MUST BE SECURED  
TO THE FLOOR.**



## INSTALL BASIN STAND TO BACK OF THE CHAIR

Using the provided bolts, secure the basin support to the back of the chair, preparing it for plumbing installation.





**BASIN ASSEMBLY**

- |                           |                                  |
|---------------------------|----------------------------------|
| 1 Flick Mixer             | 13 Stand                         |
| 2 Showerhead              | 14 P trap (not supplied)         |
| 3 Showerhose basin collar | 15 Floor Mount Holes             |
| 4 Comfortneck             | 16 Rear Access Panel             |
| 5 Foam washers            | 17 Shampoo tray (optional extra) |
| 6 Plastic nut             | 18 Vinyl strap                   |
| 7 Showerhose hose         | 19 Long nut                      |
| 8 Flat seal               | 20 Plastic washers               |
| 9 Fitted flange           | 21 Metal washers                 |
| 10 Flexible waste pipe    | 22 O-ring                        |
| 11 Flange                 | 23 Basin Spring                  |
| 12 Seal                   |                                  |

**BEFORE INSTALLING YOU SHOULD CONSIDER THE FOLLOWING:**

Allow for the necessary room around the unit for free movement.

- If installing against a wall, a minimum distance of 80mm between wall and bottom back of stand is required to allow free backward movement of basin.
- If plumbing location is in wall (see Diagram A), drill a hole in rear wall of stand. For neatness of finish it is preferable to bring water and waste into the stand in the same hole.
- If plumbing location is on floor (see Diagram A), place stand over.

**STAND ASSEMBLY**

1. Position stand as required. If plumbing location is in wall drill hole in rear of stand; if plumbing location is on the floor place stand over. (P trap not supplied).
2. Basin stand **MUST** be secured to the floor. Use the floor mount holes (Fasteners not supplied). Rear Access Panel may be removed to facilitate access.

**BASIN ASSEMBLY**

3. Install Flick Mixer using O-ring, plastic and metal washers & (Long Nut) and Shower Head using the Showerhose Basin Collar, O-ring, Foam Washer & Plastic Nut as indicated.
4. Place Flick Mixer Hot & Cold Hoses in the Vinyl Strap. Shower Hoses remain outside the Basin Stand.
5. Connect Flexible Waste Pipe to Plug and Waste which is already installed making use of the with Flat Seal and fitted Flange.

**STAND-BASIN ASSEMBLY PLUMBING CONNECTION**

6. Connect Flexible Waste Pipe to P trap (not supplied) making use of Seal and Flange.
7. Using four screws found on top of Stand, fix assembled Basin to stand making use of holes at end of rail channels.
8. Connect hot and cold (1/2" connection) water braided hoses to respective supplies.
9. **Connect Basin Spring** which is already connected to the tilt and slide plate to the hole in the stand at the top left corner. (See insert)
10. Place both ends of Vinyl Cover into the slots provided on front and back of Stand.
11. Please attach Comfortneck to the basin.
12. Fit Shampoo Tray (optional extra) to the side of your choice.

## FUNCTIONS

**PULSTATING MASSAGE CONTROL**

Experience the ultimate relaxation at your fingertips with the massage power function. Activate and deactivate the massage feature effortlessly, tailored to your comfort and convenience.

**CUSTOMISABLE MESSAGE INTENSITY:**

Indulge in a personalized massage experience with adjustable intensity levels. Choose from three distinct intensity settings (Level 1, Level 2, Level 3) to find your perfect balance of relaxation and rejuvenation.

**SEAMLESS AUTO RECLINE & MESSAGE**

Immerse yourself in pure bliss with the auto recline and massage function. Effortlessly activate both features simultaneously, allowing the chair to gently recline while the massage melts away your stress and tension.

**EFFORTLESS AUTO RECLINE**

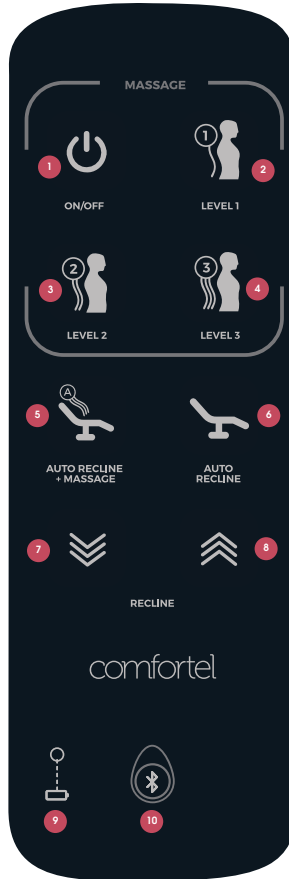
Experience unparalleled comfort with the auto recline feature. Let the chair effortlessly adjust to your desired position, providing luxurious relaxation at the touch of a button.

**MANUAL RECLINE LEG ADJUSTMENT**

Fine-tune your seating position with precision using the manual recline leg adjustment. Raise or lower the leg rest to find the perfect angle of support and relaxation.

**SEAMLESS BLUETOOTH  
MAGNET KEYSRING PAIRING**

Connect and control your massage chair with ease using the Bluetooth magnet key pairing function. Effortlessly pair your remote with the chair's innovative Bluetooth technology for seamless operation.

**OPERATION: HAND REMOTE  
MESSAGE & RECLINE**

1. Massage Power
2. Massage Intensity Level 1
3. Massage Intensity Level 2
4. Massage Intensity Level 3 /Pairing mode
5. Auto Recline & Massage
6. Auto Recline
7. Manual Recline Down
8. Manual Recline Up
9. Battery Indication
10. Magnet Pairing Mode

**BATTERY INDICATION**

When the battery power level falls below 20%, the LED will flash 4 times when a key is pressed.

When the battery has been changed, the LED will be lit for 4 seconds after the first keypress.

**CHANGING THE BATTERY**

A standard CR2032 coin cell battery is required.

Open the battery cover on the back using a coin or a similar tool to turn the arrow counterclockwise from the locked state to the unlocked state.

## UPHOLSTERY

All upholstery needs some care; good housekeeping will help to prolong the life of any upholstered products. Avoid extreme temperatures. Extreme cold can make your vinyl prone to cracking, while extreme heat can cause permanent stretching. Avoid exposing your products to direct sunlight for prolonged periods of time.

### ALWAYS FOLLOW THE CLEANING INSTRUCTIONS

- Wipe with a clean colourfast cloth dampened with mild alkaline free soap and luke warm water. Do not wet excessively.
- Remove all traces of any cleaning product by wiping with fresh water and a clean cloth.
- Dry with a soft, clean cloth.
- Stubborn grime may require gentle scrubbing with a soft brush.

### Staining with Hair Colour or Bleach

- **Removing difficult stains such as professional hair colour or bleach is recommended that it is cleaned immediately.**
- Hair colour & bleach reacts to all surfaces the same as it does to hair. If hair colour is able to develop & penetrate the surface of the material, it may be impossible to remove.
- Treat all stains promptly as per our cleaning instructions

Please see our Material Testing Reports

<https://help.comfortel.com.au/material-testing-reports/>

### Do not use:

- hot or boiling water
- hydrocarbons including alcohol
- acetone
- furniture polishes
- bleach
- concentrated detergents
- abrasive powder or paste cleaners
- steel wool
- silicon or petroleum-based cleaners
- solvent based or abrasive cleaning agents

## MAINTENANCE

A periodic inspection of all components and fasteners should be made to ensure that your Comfortel Product is structurally intact and functioning properly.

Damaged and broken parts should be replaced and loose fasteners tightened.

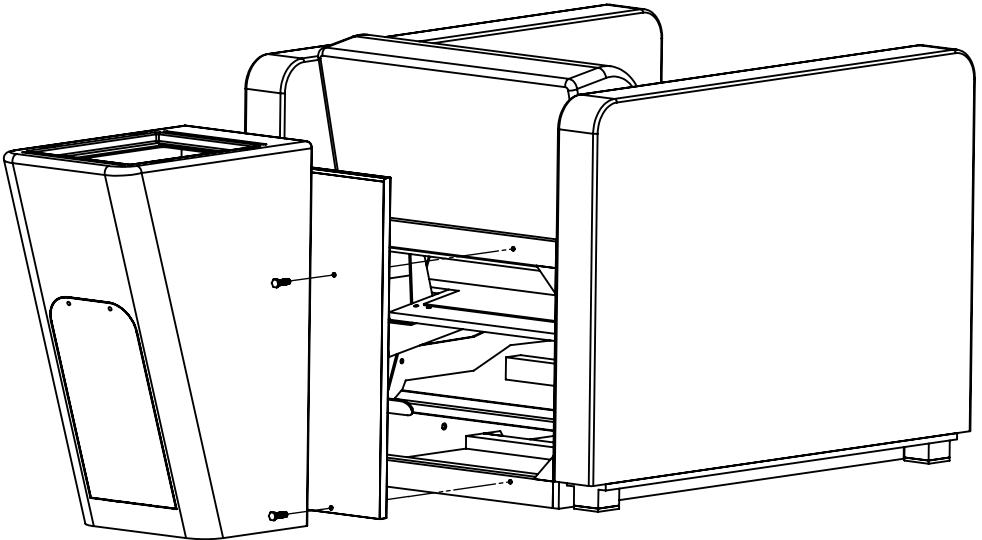
All maintenance to be carried out by a suitably qualified trades person.

### HOW TO CHANGE A SHOWERHEAD OR SHOWERHOSE

Please view our online how to videos and further troubleshooting:

<https://help.comfortel.com.au/hairedressing-basins/>

Unscrew the four bolts on the back panel of the chair. Once removed, detach the chair from the back panel and slide the chair forward.




SOLUTIONS & TIPS: [SEE MORE AT HELP.COMFORTEL.COM.AU](https://help.comfortel.com.au)

How to change a Showerhead 


Watch how to change your Comfortel Showerhead on your Hairdressing Basin

[Watch Video](#)

How to change a Showerhose 

Watch how to change your Comfortel Showerhose on your Hairdressing Basin

[Watch Video](#)

Troubleshooting: Basin does not spring forward when pushed back 

Solution: Watch the video on how to attach the spring inside your basin stand

[Watch Video](#)

Guide: Retractable Footrest Mechanism 

Read more about our built-in safety retractable Footrest Mechanism when the wash lounge is in the recline position.

[Read More](#)

# comfortel

help.comfortel.com.au

## PRODUCT CODE

#1550.02 KIRA II RECLINING WASH LOUNGE  
WITH MASSAGE

AU/NZ POWER: 240V, 50-60HZ, MAX 2.4A

UK/EU POWER: 240V, 50-60HZ, MAX 2.4A

US/CAN POWER: 110V, 50-60HZ, MAX 2.4A

MAX LOAD: 150KG (330lbs)

©Comfortel Furniture. All rights are reserved. No part of this document may be photocopied, reproduced or translated to another language without written consent of Comfortel Furniture Pty Ltd.

The information contained in this document is subject to change without notice and should not be construed as a commitment by Comfortel Furniture Pty Ltd.

Comfortel Furniture Pty Ltd. assumes no responsibility for any errors that may appear in this document nor does it make expressed or implied warranty of any kind with regard to this material, including, but not limited to, the implied warranties of merchantability and fitness for a particular purpose.

Comfortel Furniture Pty Ltd. shall not be liable for incidental or consequential damages in connection with or arising out of the use of this document and the program material.

**PLEASE RETAIN THIS INFORMATION FOR FUTURE REFERENCE**

## WARRANTY PERIOD

TERMS AND CONDITIONS. For more information about our warranty, please refer to our website:

WARRANTY



PURCHASE DATE

INVOICE NUMBER

NOTE YOUR PURCHASE DATE & INVOICE NUMBER FOR FUTURE REFERENCE