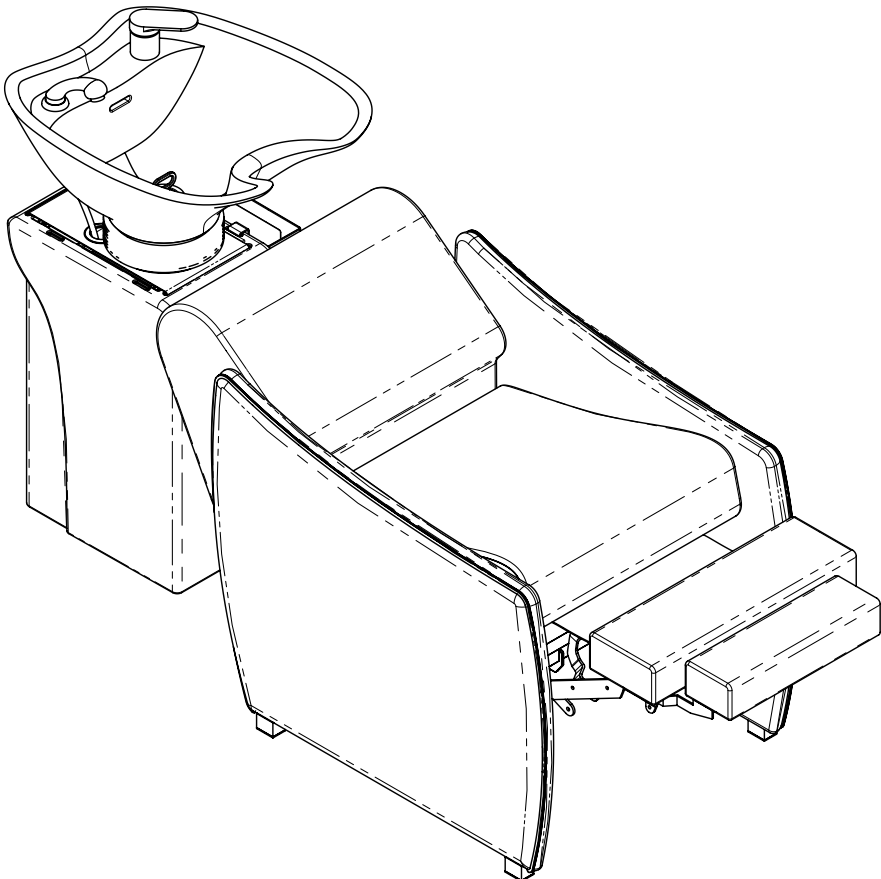


# harriet washlounge

#1535

HARRIET ELECTRIC WASHLOUNGE WITH MASSAGE

---





## IMPORTANT PLEASE READ THESE SAFETY INSTRUCTIONS

Listed below are essential safety precautions:

### GENERAL SAFETY

1. Read carefully and keep these instructions in a safe place.
2. Use this product only for its intended function and do not use attachments not recommended by the manufacturer.
3. Do not use outdoors.

### PLUMBING

1. This unit must be plumbed by a licensed plumber



**IMPORTANT**  
DO NOT ALLOW CHILDREN AROUND THE  
WASHLOUNGE WHEN IN USE

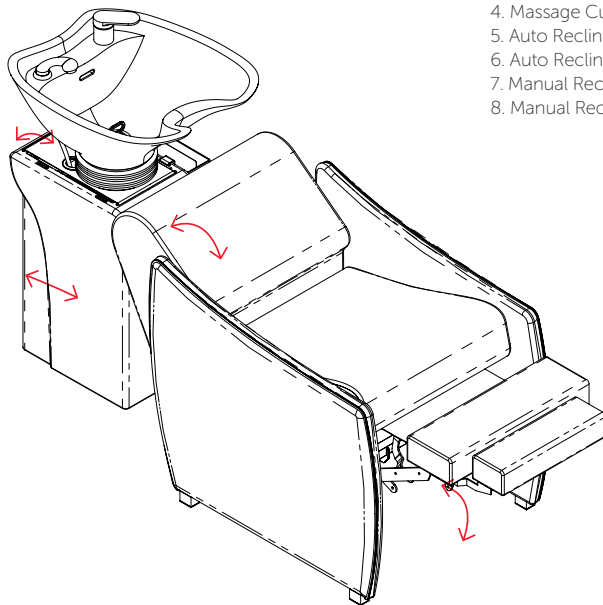
### ELECTRICAL APPLIANCES

1. All GPO's must be installed by a qualified Electrician in accordance with local electrical standards.
2. DO NOT allow children to operate the electric motors in this product.
3. Turn the power off and remove the plug when not in use.
4. Turn the power off and remove the plug when cleaning the chair cushions.
5. Do not let the power cord get damaged in any way.
6. Keep the power cord away from heat sources.
7. Do not use an extension cord unless the cord complies with local electrical safety standards.
8. Periodically inspect the power cord for signs of damage.
9. Do not operate any electrical item with a damaged power cord.

## GET STARTED

### FUNCTIONS

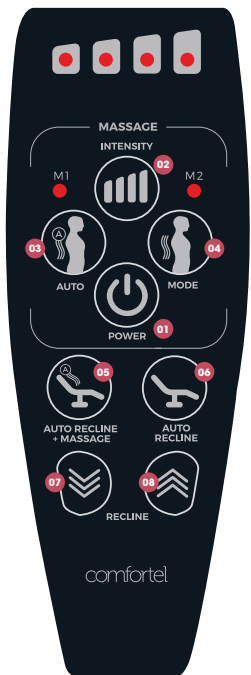
Sit in chair, using hand held remote the client can be reclined to suit the clients comfort.  
Optional foot control also available.



### OPERATION: HAND REMOTE MESSAGE & RECLINE

#### FUNCTIONS

1. Massage Power
2. Massage Intensity
3. Massage Auto Setting
4. Massage Custom Mode
5. Auto Recline & Massage
6. Auto Recline
7. Manual Recline Down
8. Manual Recline Up



FOR BEST SUPPORT PLEASE ADVISE  
CLIENT TO SIT WELL BACK INTO THE SEAT.

### OPTIONAL UPGRADES



**BATTERY BACKUP**  
Controls wash lounge  
when salon has no power



**FOOT CONTROL**

# GET STARTED

## HARRIET

Electric reclining wash lounge with massage.  
Optional basin colour of black or white.

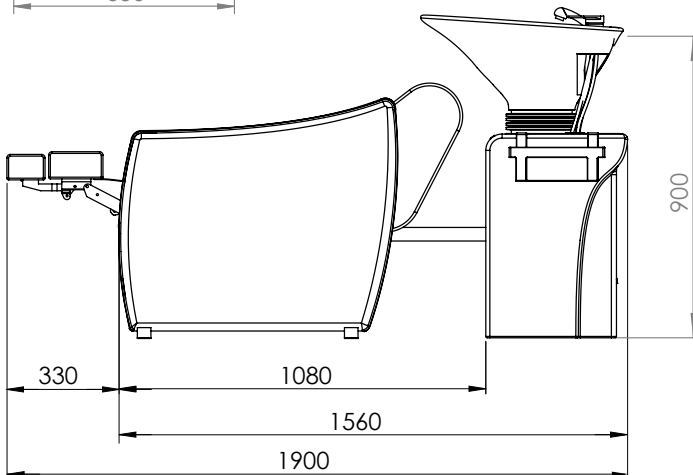
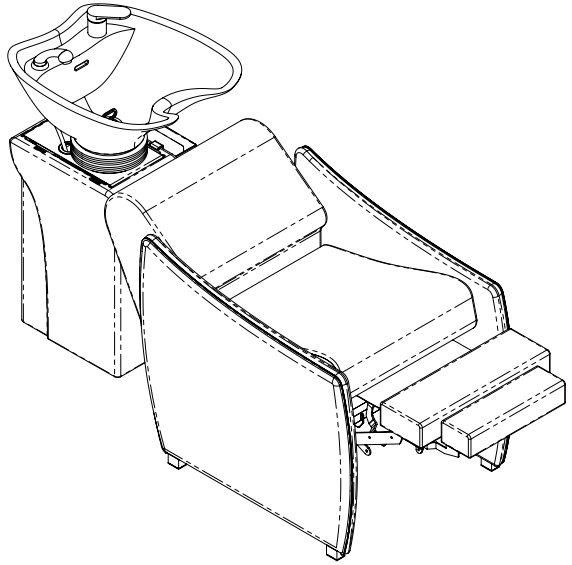
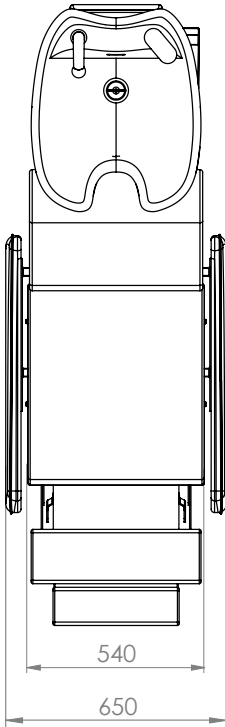
**Width:** 650mm

**Length:** 1500mm-1900mm

**Basin Height:** 900mm



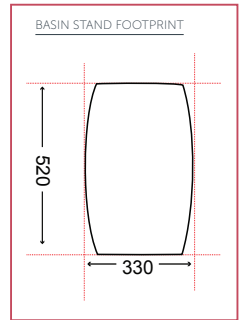
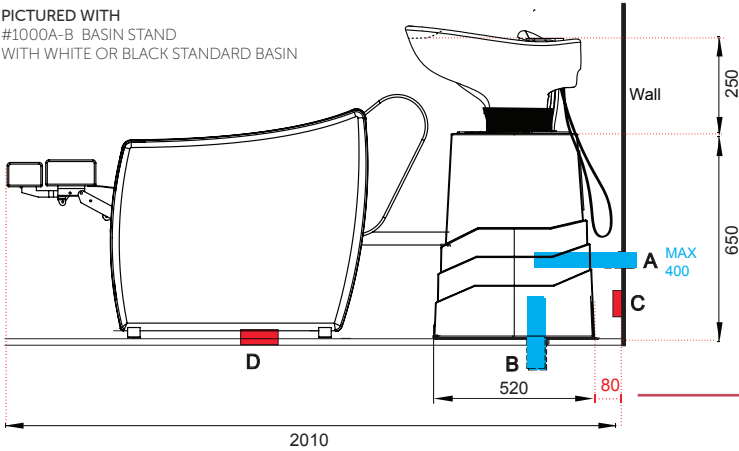
WELS RATING



# POSITIONING: BASIN STAND WITH STANDARD BASIN OPTION

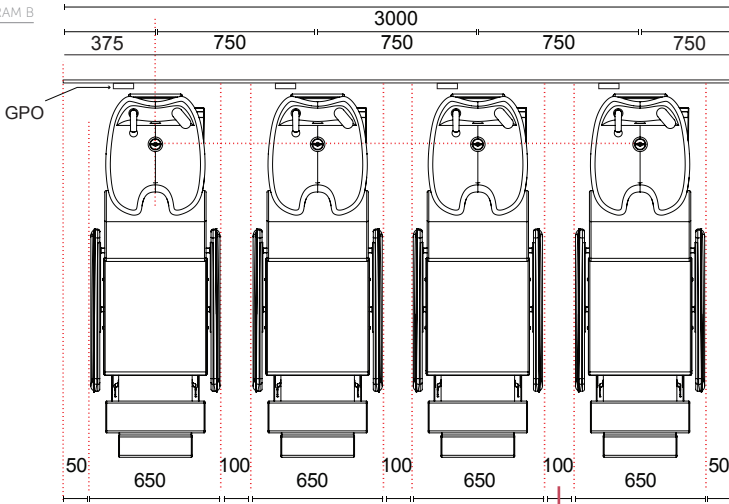
DIAGRAM A

PICTURED WITH  
#1000A-B BASIN STAND  
WITH WHITE OR BLACK STANDARD BASIN



If washing from rear of stand, add extra distance of 400mm from wall.

DIAGRAM B



If washing from the side add 400mm between each chair.

## PLUMBING ACCESS OPTIONS

Determine the best way to connect plumbing

### OPTION 1: PLUMBING

From behind the basin stand connect plumbing to the wall. From the back of the stand, plumbing can be installed from a maximum height of 400mm from the floor.

### OPTION 2: PLUMBING

From under the basin stand connect plumbing to the floor.

## ELECTRICAL ACCESS FOR RECLINE AND MASSAGE

Determine the best way to connect Power.

### OPTION C+D: GPO

Install GPO to the wall (option C) or under the chair (option D).

GPO 1 x GPO MAX 2A 240V, 50Hz

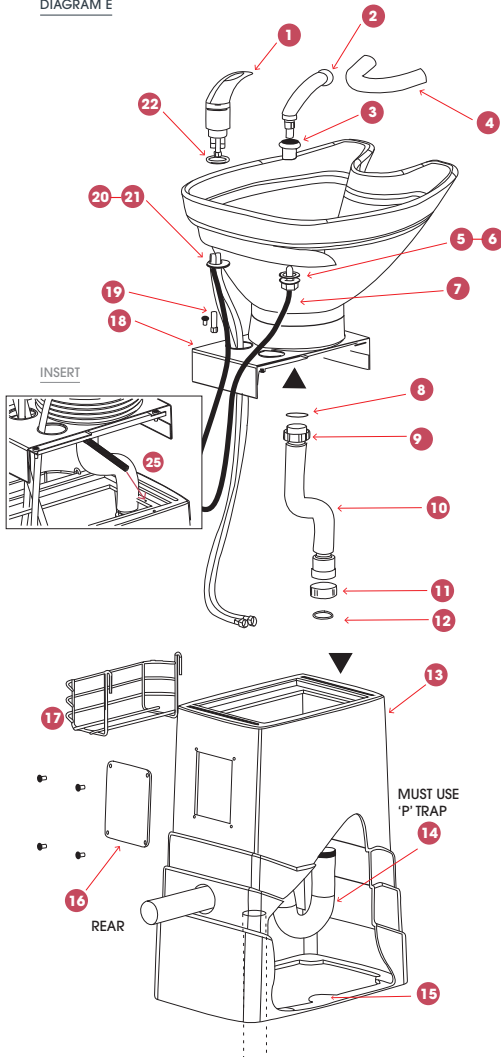
All measurements are in mm.

**IMPORTANT**  
ALL PLUMBING MUST BE COMPLETED BY A LICENSED PLUMBER

**IMPORTANT**  
GPO'S MUST BE INSTALLED BY A QUALIFIED ELECTRICIAN IN ACCORDANCE WITH AUSTRALIAN STANDARDS.

# INSTALLATION & ASSEMBLY: BASIN STAND WITH STANDARD BASIN OPTION

DIAGRAM E



## COMFORTEL PRODUCT

#1000A-B BASIN STAND WITH WHITE OR BLACK STANDARD BASIN

### BEFORE INSTALLING YOU SHOULD CONSIDER THE FOLLOWING:

Allow for the necessary room around the unit for free movement.

- If installing against a wall, a minimum distance of 80mm between wall and bottom back of stand is required to allow free backward movement of basin.
- If plumbing location is in wall (see Diagram A), drill a hole in rear wall of stand. For neatness of finish it is preferable to bring water and waste into the stand in the same hole.
- If plumbing location is on floor (see Diagram A), place stand over.

### STAND ASSEMBLY

1. Position stand as required. If plumbing location is in wall drill hole in rear of stand; if plumbing location is on the floor place stand over. (P trap not supplied).
2. Basin stand MUST be secured to the floor. Use middle lugs (Fasteners not supplied). Rear Access Panel may be removed to facilitate access.

### BASIN ASSEMBLY

3. Install Flick Mixer using O-ring, plastic and metal washers & (Long Nut) and Shower Head using the Showerhose Basin Collar, O-ring, Foam Washer & Plastic Nut as indicated.
4. Place Flick Mixer and Shower Head Hoses through the holes in the Vinyl Strap.
5. Connect Flexible Waste Pipe to Plug and Waste which is already installed making use of the with Flat Seal and fitted Flange.

### STAND-BASIN ASSEMBLY PLUMBING CONNECTION

6. Connect Flexible Waste Pipe to P trap (not supplied) making use of Seal and Flange.
7. Using four screws found on top of Stand, fix assembled Basin to stand making use of holes at end of rail channels.
8. Connect hot and cold (1/2" connection) water braided hoses to respective supplies.
9. **Connect Basin Spring** which is already connected to the tilt and slide plate to the hole in the stand at the top left corner. (See insert)
10. Place both ends of Vinyl Cover into the slots provided on front and back of Stand.
11. Please attach Comfortneck to the basin.
12. Fit Shampoo Tray (optional extra) to the side of your choice.

### BASIN ASSEMBLY

- |    |                         |    |                               |
|----|-------------------------|----|-------------------------------|
| 1  | Flick Mixer             | 13 | Stand                         |
| 2  | Showerhead              | 14 | P trap (not supplied)         |
| 3  | Showerhose basin collar | 15 | Middle lugs                   |
| 4  | Comfortneck             | 16 | Rear Access Panel             |
| 5  | Foam washers            | 17 | Shampoo tray (optional extra) |
| 6  | Plastic nut             | 18 | Vinyl strap                   |
| 7  | Showerhead hose         | 19 | Long nut                      |
| 8  | Flat seal               | 20 | Plastic washers               |
| 9  | Fitted flange           | 21 | Metal washers                 |
| 10 | Flexible waste pipe     | 22 | O-ring                        |
| 11 | Flange                  | 23 | Basin Spring                  |
| 12 | Seal                    |    |                               |

# POSITIONING: BASIN STAND II WITH XL BASIN OPTION

DIAGRAM A

PICTURED WITH  
#1000C-D BASIN STAND II  
WITH WHITE OR BLACK XL BASIN

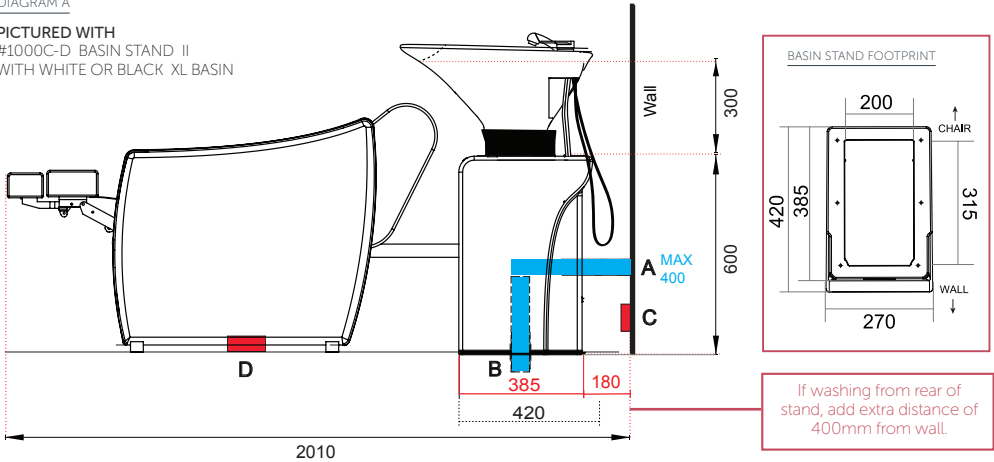
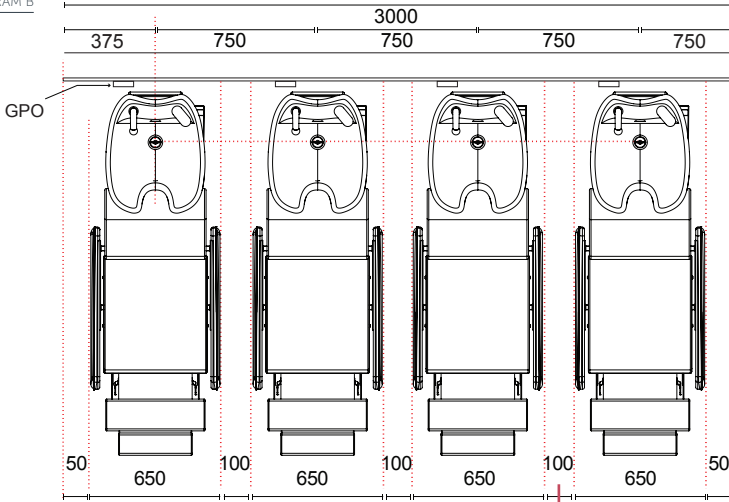


DIAGRAM B



## PLUMBING ACCESS OPTIONS

Determine the best way to connect plumbing

### OPTION 1: PLUMBING

From behind the basin stand connect plumbing to the wall. From the back of the stand, plumbing can be installed from a maximum height of 400mm from the floor.

### OPTION 2: PLUMBING

From under the basin stand connect plumbing to the floor.

## ELECTRICAL ACCESS FOR RECLINE AND MASSAGE

Determine the best way to connect Power.

### OPTION C+D: GPO

Install GPO to the wall (option C) or under the chair (option D).  
GPO 1 x GPO MAX 2A 240V, 50Hz

All measurements are in mm.



### IMPORTANT

ALL PLUMBING MUST BE COMPLETED BY A LICENSED PLUMBER

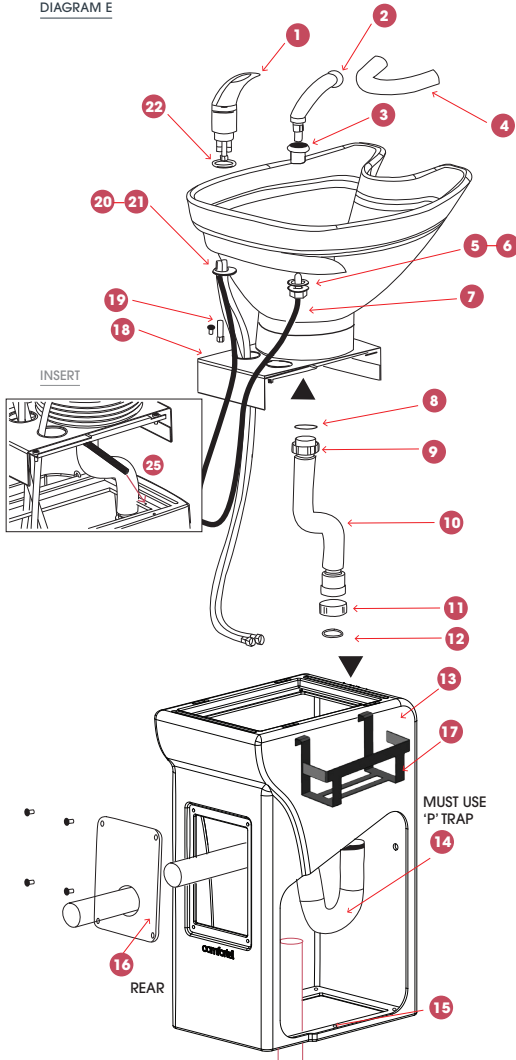


### IMPORTANT

GPO'S MUST BE INSTALLED BY A QUALIFIED ELECTRICIAN IN ACCORDANCE WITH AUSTRALIAN STANDARDS.

# INSTALLATION & ASSEMBLY: BASIN STAND II WITH XL BASIN OPTION

DIAGRAM E



## COMFORTEL PRODUCT

#1000C-D BASIN STAND II WITH WHITE OR BLACK BASIN XL

### BEFORE INSTALLING YOU SHOULD CONSIDER THE FOLLOWING:

Allow for the necessary room around the unit for free movement.

- If installing against a wall, a minimum distance of 80mm between wall and bottom back of stand is required to allow free backward movement of basin.
- If plumbing location is in wall (see Diagram A), drill a hole in rear wall of stand. For neatness of finish it is preferable to bring water and waste into the stand in the same hole.
- If plumbing location is on floor (see Diagram A), place stand over.

### STAND ASSEMBLY

1. Position stand as required. If plumbing location is in wall drill hole in rear of stand; if plumbing location is on the floor place stand over. (P trap not supplied).
2. Basin stand **MUST** be secured to the floor. Use the floor mount holes (Fasteners not supplied). Rear Access Panel may be removed to facilitate access.

### BASIN ASSEMBLY

3. Install Flick Mixer using O-ring, plastic and metal washers & (Long Nut) and Shower Head using the Showerhose Basin Collar, O-ring, Foam Washer & Plastic Nut as indicated.
4. Place Flick Mixer and Shower Head Hoses through the holes in the Vinyl Strap.
5. Connect Flexible Waste Pipe to Plug and Waste which is already installed making use of the with Flat Seal and fitted Flange.

### STAND-BASIN ASSEMBLY PLUMBING CONNECTION

6. Connect Flexible Waste Pipe to P trap (not supplied) making use of Seal and Flange.
7. Using four screws found on top of Stand, fix assembled Basin to stand making use of holes at end of rail channels.
8. Connect hot and cold (1/2" connection) water braided hoses to respective supplies.
9. **Connect Basin Spring** which is already connected to the tilt and slide plate to the hole in the stand at the top left corner. (See insert)
10. Place both ends of Vinyl Cover into the slots provided on front and back of Stand.
11. Please attach Comfortneck to the basin.
12. Fit Shampoo Tray (optional extra) to the side of your choice.

### BASIN ASSEMBLY

- |                           |                                  |
|---------------------------|----------------------------------|
| 1 Flick Mixer             | 13 Stand                         |
| 2 Showerhead              | 14 P trap (not supplied)         |
| 3 Showerhose basin collar | 15 Floor Mount Holes             |
| 4 Comfortneck             | 16 Rear Access Panel             |
| 5 Foam washers            | 17 Shampoo tray (optional extra) |
| 6 Plastic nut             | 18 Vinyl strap                   |
| 7 Showerhead hose         | 19 Long nut                      |
| 8 Flat seal               | 20 Plastic washers               |
| 9 Fitted flange           | 21 Metal washers                 |
| 10 Flexible waste pipe    | 22 O-ring                        |
| 11 Flange                 | 23 Basin Spring                  |
| 12 Seal                   |                                  |

# POSITIONING: BENCH KIT OPTION WITH STANDARD BASIN

## WASHING FROM BEHIND BENCH CONFIGURATION

COMFOTEL PRODUCT REFERENCE  
#1000E-F BENCH KIT WHITE OR BLACK BASIN  
#10020-21 BASIN BENCH DOUBLE X 2

DIAGRAM C

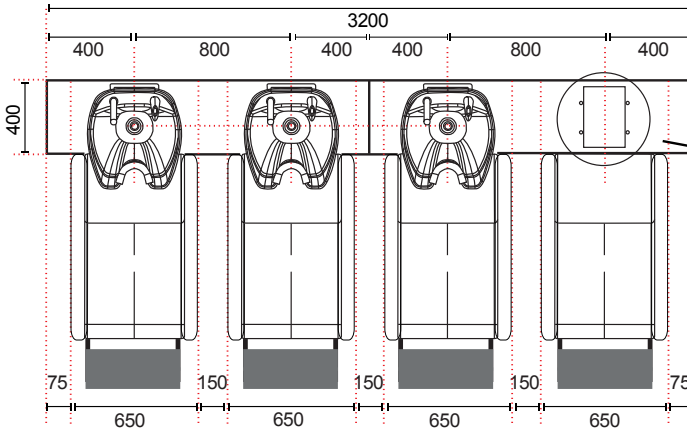


DIAGRAM E

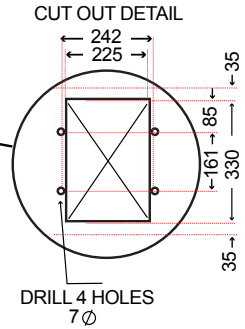
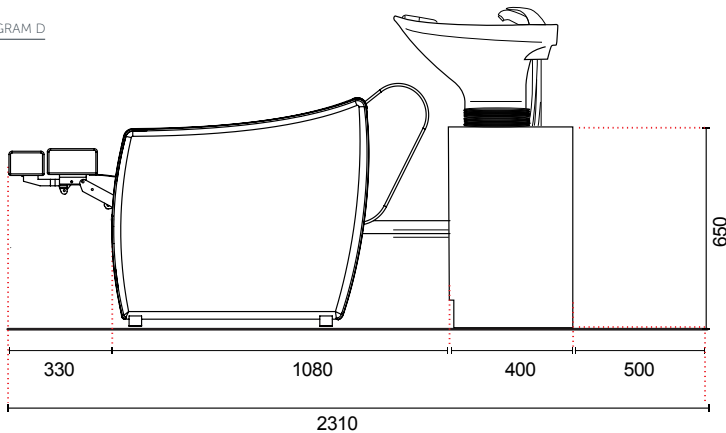


DIAGRAM D



All measurements are in mm.

### BASIN BENCH KIT

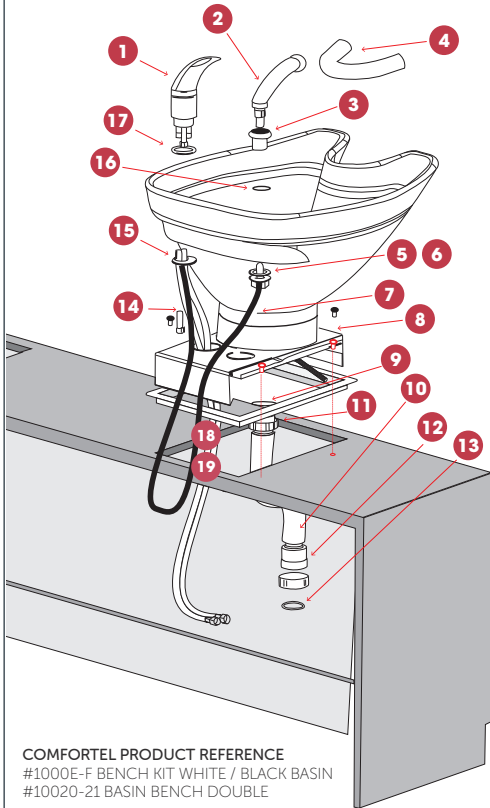
Choose this option if a bench kit is purchased. Basin Bench Kit is available in 2 position. For a 4 Position Bench, please see 4 Position Diagram, where 2 x Basin Bench Doubles are installed next to each other. Basin Bench Kit is recommended for situations requiring washing from behind when the plumbing is not through the floor.

For more information about the product go to [www.comfortel.com.au](http://www.comfortel.com.au).



# INSTALLATION & ASSEMBLY: BENCH KIT OPTION

DIAGRAM F



**COMFORTEL PRODUCT REFERENCE**  
 #1000E-F BENCH KIT WHITE / BLACK BASIN  
 #10020-21 BASIN BENCH DOUBLE

## BENCH FIXING DETAIL

1. Position Bench as required.
2. Bench must be secured to the floor, or wall. (Fasteners not provided)
3. Seal base – seal the base of the bench inside and outside with silicone.

## BASIN ASSEMBLY

4. Install Flick Mixer using the O-ring, plastic and metal washers & Long Nut, and Showerhead using the Showerhose Basin Collar, O-ring, Foam Washer and Plastic Nut as indicated.
5. Place Flick Mixer and Showerhead Hoses through the holes in the Vinyl Strap.
6. Connect Flexible Waste Pipe to Plug and Waste which is already installed making use of end with Flat Seal and fitted flange.

## BENCH KIT ASSEMBLY

7. Using 4x40mm Stainless Steel bolts with spring washers and nuts (supplied) fix Bench Kit Frame to top of Bench.
8. Connect hot and cold (1/2" connection) water braided hoses to respective supplies.
9. Connect Flexible Waste Pipe (supplied) to P Trap (not supplied) making use of Seal and Flange.
10. Connect Basin Spring which is already connected to the tilt and slide plate to the hole in the Bench Kit Frame at the front left corner.
11. Place both ends of Vinyl Cover into the slots provided on front and back of Bench Kit Frame.

## BASIN ASSEMBLY

- |                           |                            |
|---------------------------|----------------------------|
| 1 Flick Mixer             | 11 Fitted flange           |
| 2 Showerhead              | 12 Flange                  |
| 3 Showerhose Basin Collar | 13 Seal                    |
| 4 Comfortneck             | 14 Long nut                |
| 5 Foam Washer             | 15 Plastic & Metal Washers |
| 6 Plastic Nut             | 16 O-ring                  |
| 7 Showerhead hose         | 17 O-ring                  |
| 8 Vinyl Strap             | 18 Basin spring            |
| 9 Flat seal               | 19 Bench Kit Frame         |
| 10 Flexible Waste Pipe    |                            |



## IMPORTANT

ALL PLUMBING MUST BE COMPLETED  
 BY A LICENSED PLUMBER



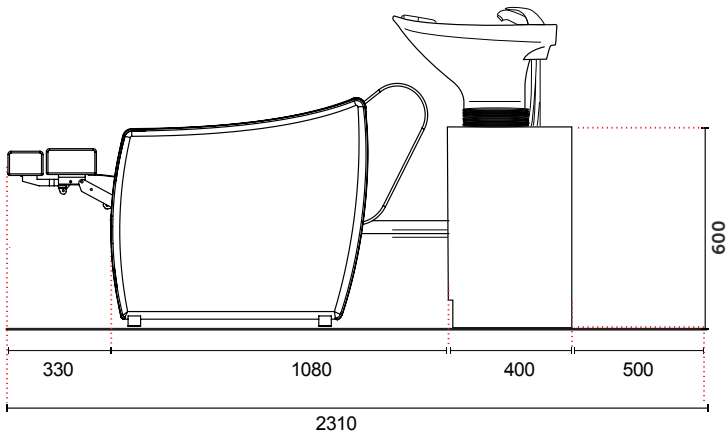
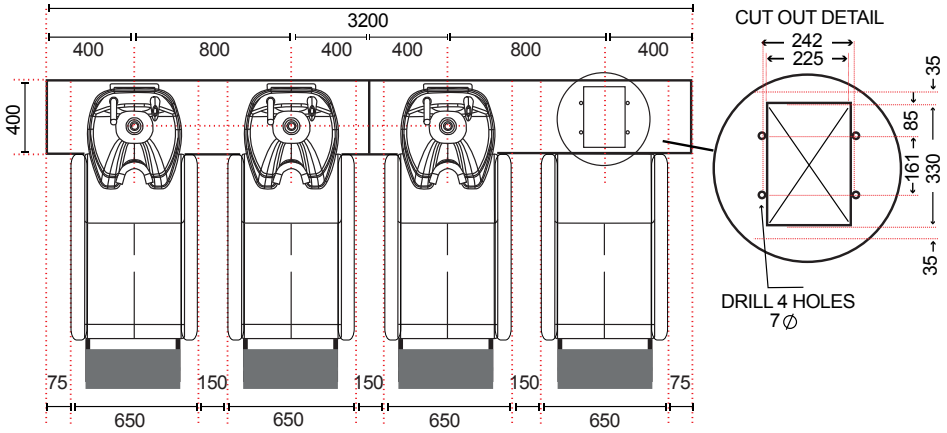
## IMPORTANT

GPO'S MUST BE INSTALLED BY A QUALIFIED  
 ELECTRICIAN IN ACCORDANCE WITH  
 AUSTRALIAN STANDARDS.

# POSITIONING: BUILDING YOUR OWN BENCH WITH XL BASIN

## WASHING FROM BEHIND BENCH CONFIGURATION

COMFOTEL PRODUCT REFERENCE  
#1000G-H BENCH KIT WHITE OR BLACK XL BASIN



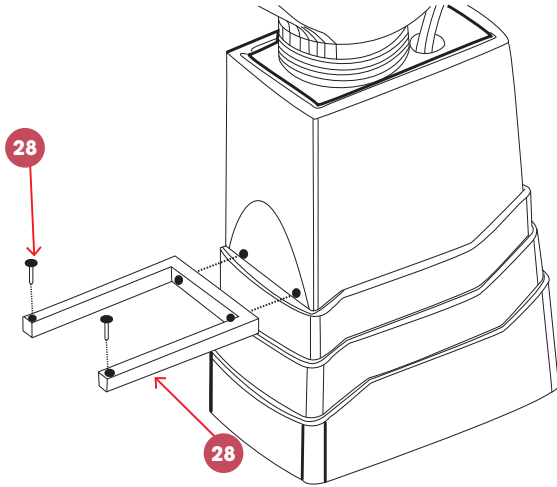
### BENCH HEIGHT REQUIREMENTS:

XL Basin Bench Height: 600mm  
Standard Basin Bench Height: 650mm

All measurements are in mm.

## INSTALLATION & ASSEMBLY: CHAIR TO BASIN STAND

DIAGRAM G **28** Connector

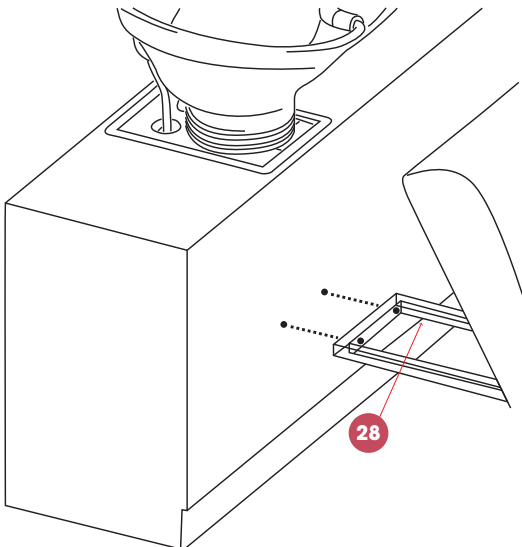


### INSTALL CHAIR TO BASIN STAND

- Fix Connector to stand front using two bolts and nuts provided.

## INSTALLATION & ASSEMBLY: CHAIR TO BASIN BENCH

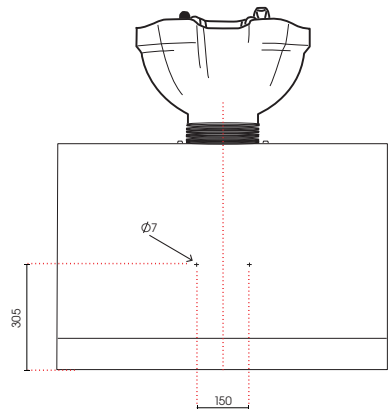
DIAGRAM H **28** Connector



### INSTALL CHAIR TO BASIN BENCH

- Fix Connector to Bench front using two bolts and nuts provided. Refer to sketch for drilling details.
- It is recommended to install these brackets before installing bench for easy access.

DIAGRAM I



## MAINTENANCE

A periodic inspection of all components and fasteners should be made to ensure that your Comfortel Product is structurally intact and functioning properly.

Damaged and broken parts should be replaced and loose fasteners tightened.

All maintenance to be carried out by a suitably qualified tradesperson.

### HOW TO CHANGE A SHOWERHEAD

For more support & help, including troubleshooting videos, refer to our support center on our website [help.comfortel.com.au](http://help.comfortel.com.au)

## CLEANING

### UPHOLSTERY

All upholstery needs some care; good housekeeping will help to prolong the life of any upholstered products. Avoid extreme temperatures. Extreme cold can make your vinyl prone to cracking, while extreme heat can cause permanent stretching. Avoid exposing your products to direct sunlight for prolonged periods of time.

### ALWAYS FOLLOW THE CLEANING INSTRUCTIONS

- Wipe with a clean colourfast cloth dampened with mild alkaline free soap and luke warm water. Do not wet excessively.
- Remove all traces of any cleaning product by wiping with fresh water and a clean cloth.
- Dry with a soft, clean cloth.
- Stubborn grime may require gentle scrubbing with a soft brush.

### Do not use:

- hot or boiling water
- hydrocarbons including alcohol
- acetone
- furniture polishes
- bleach
- concentrated detergents
- abrasive powder or paste cleaners
- steel wool
- silicon or petroleum-based cleaners
- solvent based or abrasive cleaning agents

# comfortel

[help.comfortel.com.au](http://help.comfortel.com.au)

### PRODUCT CODE

#1535 HARRIET WASH LOUNGE

The information contained in this document is subject to change without notice and should not be construed as a commitment by Comfortel Furniture Pty Ltd.

Comfortel Furniture Pty Ltd. assumes no responsibility for any errors that may appear in this document nor does it make expressed or implied warranty of any kind with regard to this material, including, but not limited to, the implied warranties of merchantability and fitness for a particular purpose.

Comfortel Furniture Pty Ltd. shall not be liable for incidental or consequential damages in connection with or arising out of the use of this document and the program material.

### **PLEASE RETAIN THIS INFORMATION FOR FUTURE REFERENCE**

©Comfortel Furniture. All rights are reserved. No part of this document may be photocopied, reproduced or translated to another language without written consent of Comfortel Furniture Pty Ltd.

### WARRANTY PERIOD

TERMS AND CONDITIONS. For more information about our warranty, please refer to our website:

WARRANTY



PURCHASE DATE

INVOICE NUMBER

NOTE YOUR PURCHASE DATE & INVOICE NUMBER FOR FUTURE REFERENCE