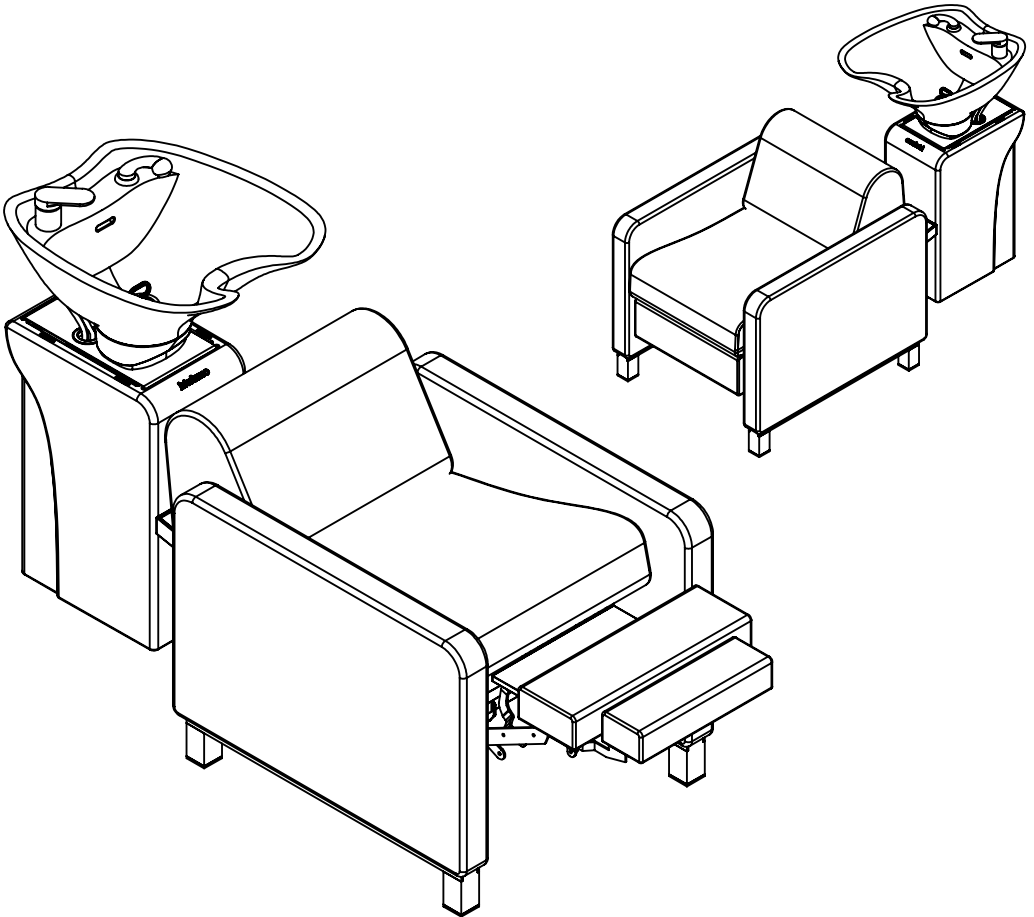


karl connect

#1533.01 KARL CONNECT ELECTRIC RECLINING WASHLOUNGE WITH MASSAGE





IMPORTANT PLEASE READ THESE SAFETY INSTRUCTIONS

Listed below are important safety precautions:

GENERAL SAFETY

- Read and retain these instructions in a secure location.
- Use the product only for its intended purpose and avoid using attachments not recommended by the manufacturer.
- Do not use the product outdoors.

PLUMBING

Ensure that a licensed plumber handles the plumbing installation of this unit.



IMPORTANT

DO NOT ALLOW CHILDREN AROUND THE UNIT WHEN IN USE



IMPORTANT

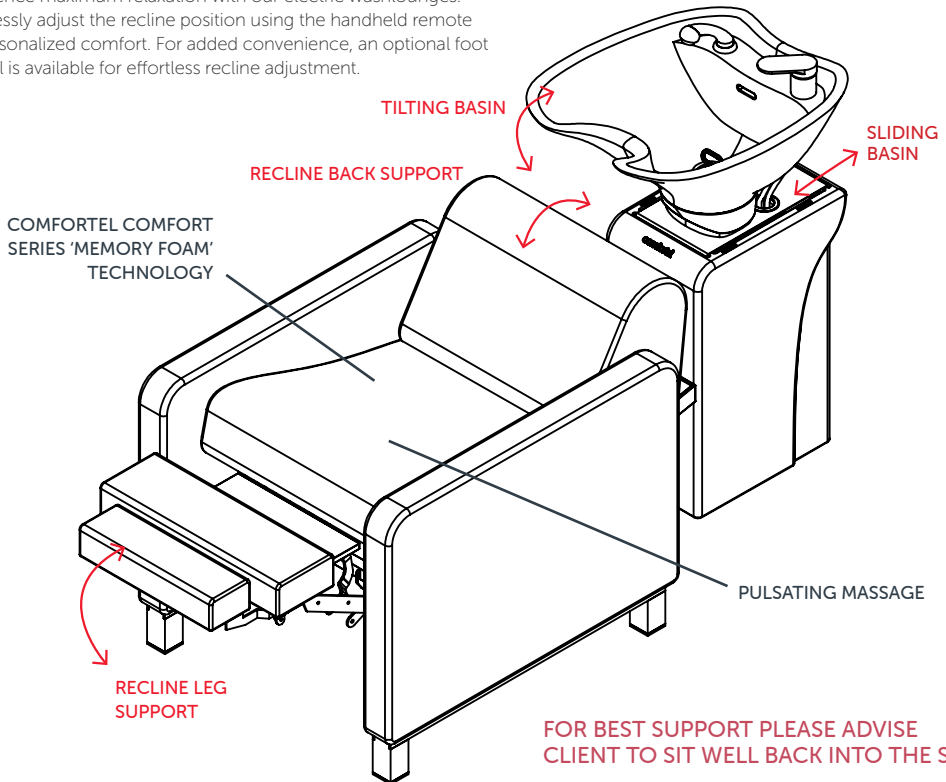
DO NOT ALLOW CHILDREN TO OPERATE THE ELECTRIC MOTORS THAT MOVE THE UNIT

ELECTRICAL APPLIANCE SAFETY GUIDELINES

- Professional Installation: Have a qualified electrician install all power outlets (GPO's) according to local electrical standards.
- Power Off and Unplug: Always turn off the power and remove the plug when the appliance is not in use.
- Cleaning Precautions: Prior to cleaning chair cushions, power off and unplug the appliance.
- Cord Protection: Avoid damaging the power cord by avoiding twisting, pulling, or pinching.
- Heat Sources: Keep the power cord away from heat sources to prevent potential damage.
- Extension Cord Safety: If needed, use an extension cord that complies with local electrical safety standards.
- Cord Inspection: Regularly inspect the power cord for signs of damage. Discontinue use if any damage is found and arrange for repairs or replacement.
- Damaged Cord Warning: Never operate an electrical item with a damaged power cord. Ensure the cord is in good condition before operating.

GET STARTED: MEET KARL

Experience maximum relaxation with our electric washlounges. Effortlessly adjust the recline position using the handheld remote for personalized comfort. For added convenience, an optional foot control is available for effortless recline adjustment.



FOR BEST SUPPORT PLEASE ADVISE CLIENT TO SIT WELL BACK INTO THE SEAT.

KARL

Electric reclining wash lounge with massage.
Optional basin colour of black or white.

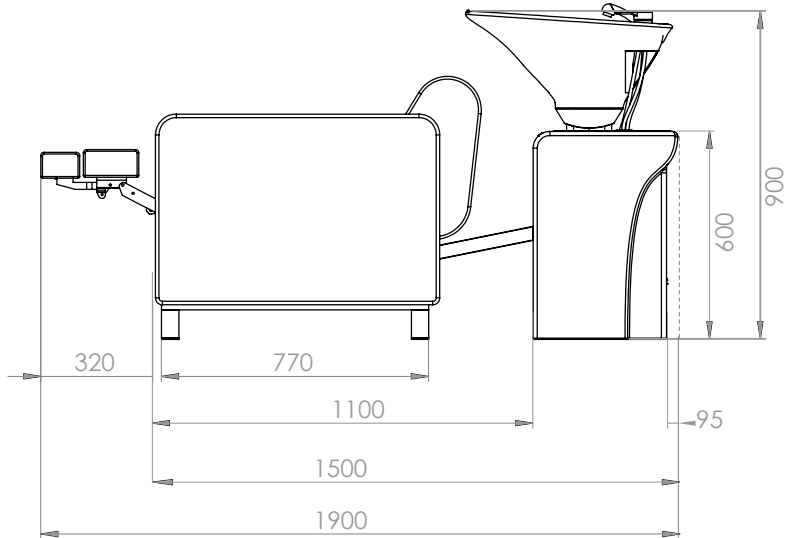
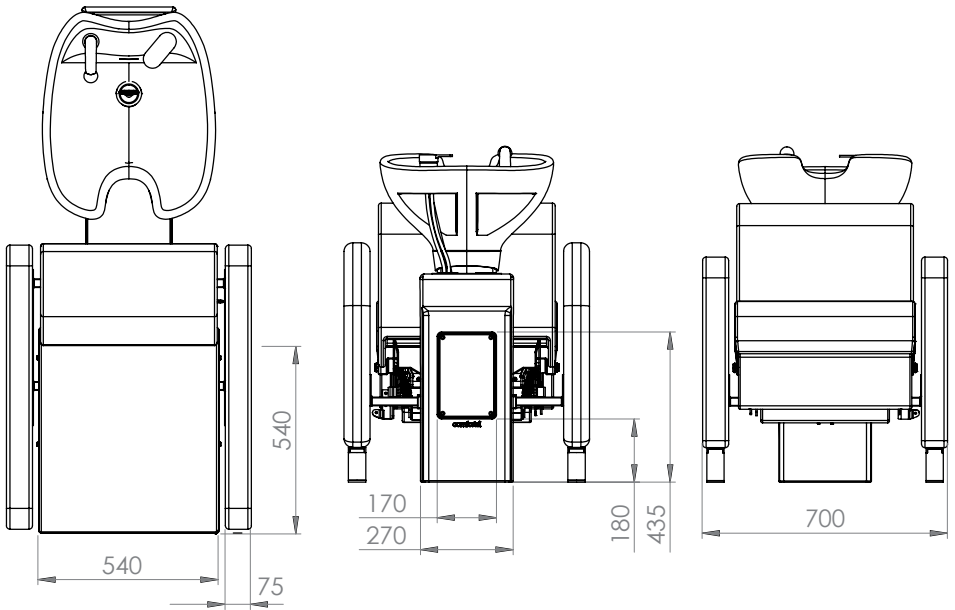
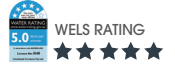


DIAGRAM A

PICTURED WITH #1000C-D BASIN STAND II WITH WHITE OR BLACK XL BASIN

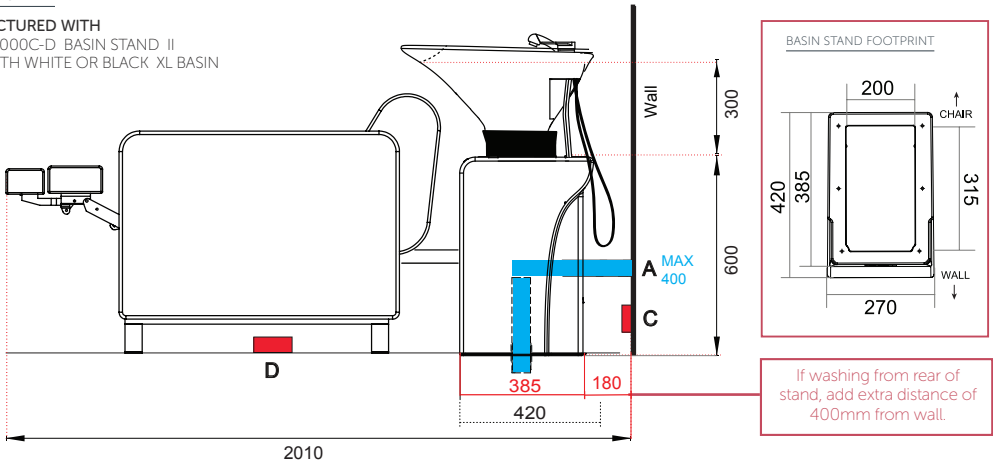
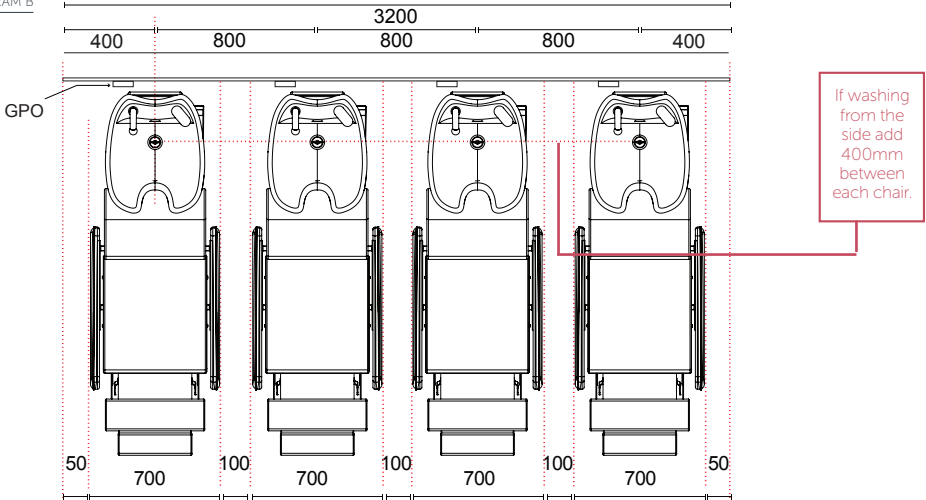


DIAGRAM B



PLUMBING ACCESS OPTIONS

Determine the best way to connect plumbing

OPTION 1: PLUMBING

From behind the basin stand connect plumbing to the wall. From the back of the stand, plumbing can be installed from a maximum height of 400mm from the floor.

OPTION 2: PLUMBING

From under the basin stand connect plumbing to the floor.

ELECTRICAL ACCESS FOR RECLINE AND MASSAGE

Determine the best way to connect Power.

OPTION C+D: POWER OUTLET (GPO)

Install Power Outlet (GPO) to the wall (option C) or under the chair (option D).

All measurements are in mm.



CRITICAL PLUMBING NOTICE

It is mandatory that all plumbing work be carried out exclusively by a licensed plumber.



IMPORTANT ELECTRICAL SAFETY NOTICE

All power outlets (GPO's) must be installed by a licensed electrician in compliance with local electrical standards.

COMFORTEL PRODUCT

#1000C-D BASIN STAND II WITH WHITE OR BLACK BASIN XL

BEFORE INSTALLING YOU SHOULD CONSIDER THE FOLLOWING:

Allow for the necessary room around the unit for free movement.

- If installing against a wall, a minimum distance of 80mm between wall and bottom back of stand is required to allow free backward movement of basin.
- If plumbing location is in wall (see Diagram A), drill a hole in rear wall of stand. For neatness of finish it is preferable to bring water and waste into the stand in the same hole.
- If plumbing location is on floor (see Diagram A), place stand over.

STAND ASSEMBLY

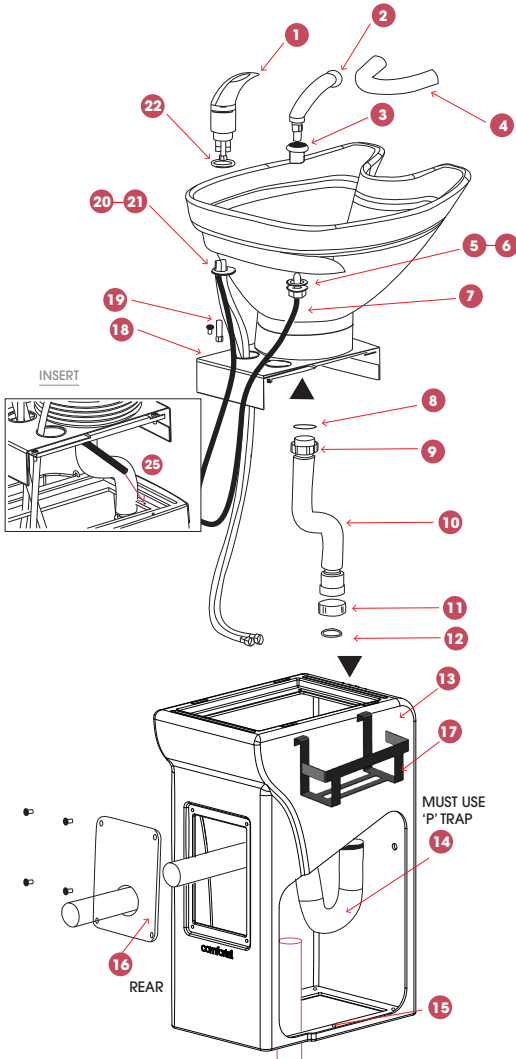
1. Position stand as required. If plumbing location is in wall drill hole in rear of stand; if plumbing location is on the floor place stand over. (P trap not supplied).
2. Basin stand **MUST** be secured to the floor. Use the floor mount holes (Fasteners not supplied). Rear Access Panel may be removed to facilitate access.

BASIN ASSEMBLY

3. Install Flick Mixer using O-ring, plastic and metal washers & (Long Nut) and Shower Head using the Showerhose Basin Collar, O-ring, Foam Washer & Plastic Nut as indicated.
4. Place Flick Mixer Hot & Cold Hoses in the Vinyl Strap. Shower Hoses remain outside the Basin Stand.
5. Connect Flexible Waste Pipe to Plug and Waste which is already installed making use of the with Flat Seal and fitted Flange.

STAND-BASIN ASSEMBLY PLUMBING CONNECTION

6. Connect Flexible Waste Pipe to P trap (not supplied) making use of Seal and Flange.
7. Using four screws found on top of Stand, fix assembled Basin to stand making use of holes at end of rail channels.
8. Connect hot and cold (1/2" connection) water braided hoses to respective supplies.
9. **Connect Basin Spring** which is already connected to the tilt and slide plate to the hole in the stand at the top left corner. (See insert)
10. Place both ends of Vinyl Cover into the slots provided on front and back of Stand.
11. Please attach Comforteck to the basin.
12. Fit Shampoo Tray (optional extra) to the side of your choice.



BASIN ASSEMBLY

- | | |
|---------------------------|----------------------------------|
| 1 Flick Mixer | 13 Stand |
| 2 Showerhead | 14 P trap (not supplied) |
| 3 Showerhose basin collar | 15 Floor Mount Holes |
| 4 Comforteck | 16 Rear Access Panel |
| 5 Foam washers | 17 Shampoo tray (optional extra) |
| 6 Plastic nut | 18 Vinyl strap |
| 7 Showerhead hose | 19 Long nut |
| 8 Flat seal | 20 Plastic washers |
| 9 Fitted flange | 21 Metal washers |
| 10 Flexible waste pipe | 22 O-ring |
| 11 Flange | 23 Basin Spring |
| 12 Seal | |

DIAGRAM A

PICTURED WITH
#1000A-B BASIN STAND
WITH WHITE OR BLACK STANDARD BASIN

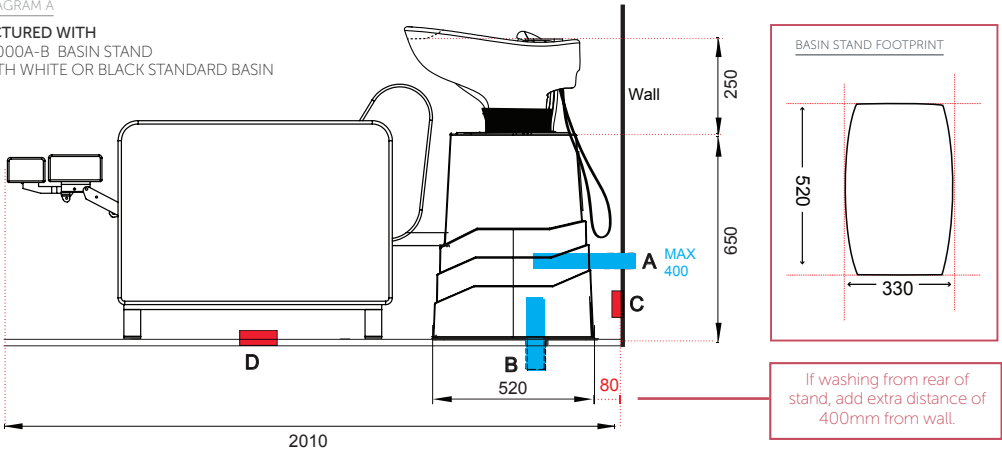
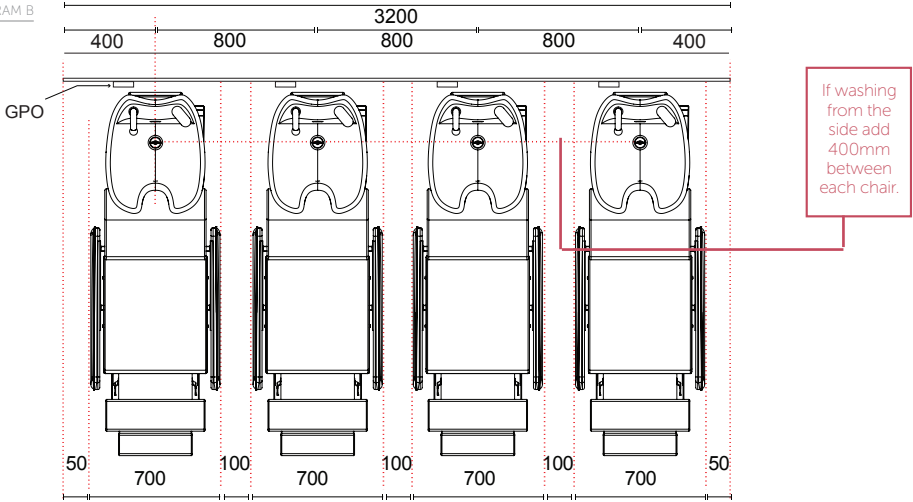


DIAGRAM B



PLUMBING ACCESS OPTIONS

Determine the best way to connect plumbing

OPTION 1: PLUMBING

From behind the basin stand connect plumbing to the wall. From the back of the stand, plumbing can be installed from a maximum height of 400mm from the floor.

OPTION 2: PLUMBING

From under the basin stand connect plumbing to the floor.

ELECTRICAL ACCESS FOR RECLINE AND MASSAGE

Determine the best way to connect Power.

OPTION C+D: POWER OUTLET (GPO)

Install Power Outlet (GPO) to the wall (option C) or under the chair (option D).

All measurements are in mm.

CRITICAL PLUMBING NOTICE
It is mandatory that all plumbing work be carried out exclusively by a licensed plumber.

IMPORTANT ELECTRICAL SAFETY NOTICE
All power outlets (GPO's) must be installed by a licensed electrician in compliance with local electrical standards.

COMFORTEL PRODUCT

#1000A-B BASIN STAND WITH WHITE OR BLACK STANDARD BASIN

BEFORE INSTALLING YOU SHOULD CONSIDER THE FOLLOWING:

Allow for the necessary room around the unit for free movement.

- If installing against a wall, a minimum distance of 80mm between wall and bottom back of stand is required to allow free backward movement of basin.
- If plumbing location is in wall (see Diagram A), drill a hole in rear wall of stand. For neatness of finish it is preferable to bring water and waste into the stand in the same hole.
- If plumbing location is on floor (see Diagram A), place stand over.

STAND ASSEMBLY

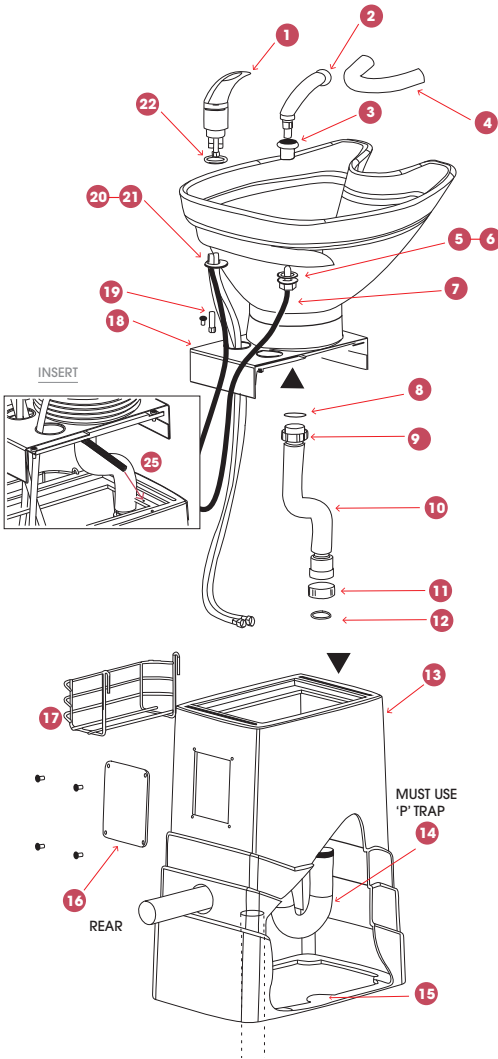
1. Position stand as required. If plumbing location is in wall drill hole in rear of stand; if plumbing location is on the floor place stand over. (P trap not supplied).
2. Basin stand **MUST** be secured to the floor. Use middle lugs (Fasteners not supplied). Rear Access Panel may be removed to facilitate access.

BASIN ASSEMBLY

3. Install Flick Mixer using O-ring, plastic and metal washers & (Long Nut) and Shower Head using the Showerhose Basin Collar, O-ring, Foam Washer & Plastic Nut as indicated.
4. Place Flick Mixer Hot & Cold Hoses in the Vinyl Strap. Shower Hoses remain outside the Basin Stand.
5. Connect Flexible Waste Pipe to Plug and Waste which is already installed making use of the with Flat Seal and fitted Flange.

STAND-BASIN ASSEMBLY PLUMBING CONNECTION

6. Connect Flexible Waste Pipe to P trap (not supplied) making use of Seal and Flange.
7. Using four screws found on top of Stand, fix assembled Basin to stand making use of holes at end of rail channels.
8. Connect hot and cold (1/2" connection) water braided hoses to respective supplies.
9. **Connect Basin Spring** which is already connected to the tilt and slide plate to the hole in the stand at the top left corner. (See insert)
10. Place both ends of Vinyl Cover into the slots provided on front and back of Stand.
11. Please attach Comfortneck to the basin.
12. Fit Shampoo Tray (optional extra) to the side of your choice.



BASIN ASSEMBLY

- | | |
|---------------------------|----------------------------------|
| 1 Flick Mixer | 13 Stand |
| 2 Showerhead | 14 P trap (not supplied) |
| 3 Showerhose basin collar | 15 Middle lugs |
| 4 Comfortneck | 16 Rear Access Panel |
| 5 Foam washers | 17 Shampoo tray (optional extra) |
| 6 Plastic nut | 18 Vinyl strap |
| 7 Showerhead hose | 19 Long nut |
| 8 Flat seal | 20 Plastic washers |
| 9 Fitted flange | 21 Metal washers |
| 10 Flexible waste pipe | 22 O-ring |
| 11 Flange | 23 Basin Spring |
| 12 Seal | |

WASHING FROM BEHIND BENCH CONFIGURATION

COMFOTEL PRODUCT REFERENCE
 #1000E-F BENCH KIT WHITE OR BLACK BASIN
 #10020-21 BASIN BENCH DOUBLE X 2

DIAGRAM C

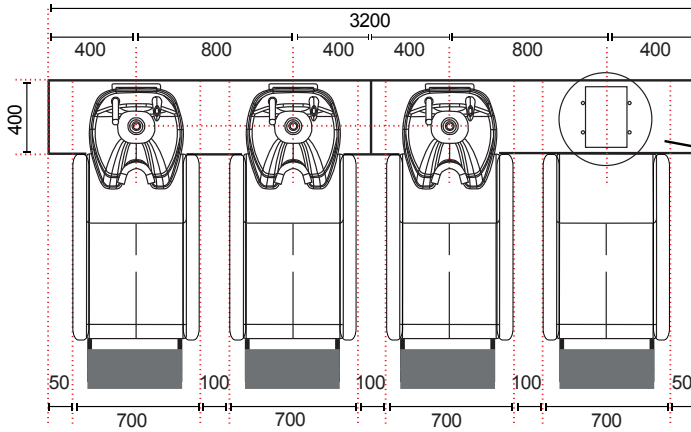


DIAGRAM E

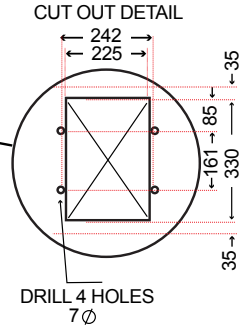
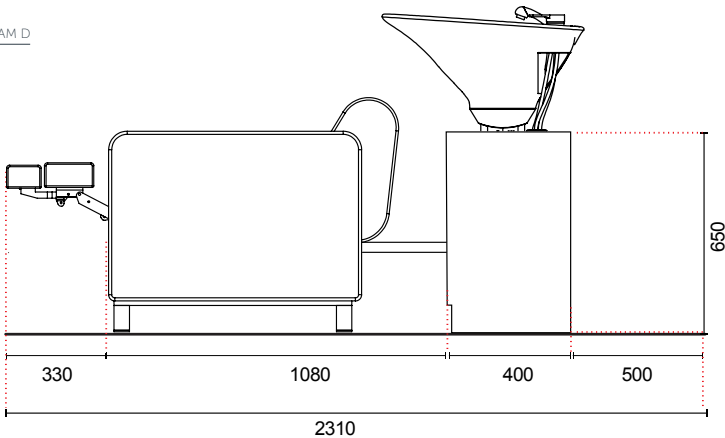


DIAGRAM D



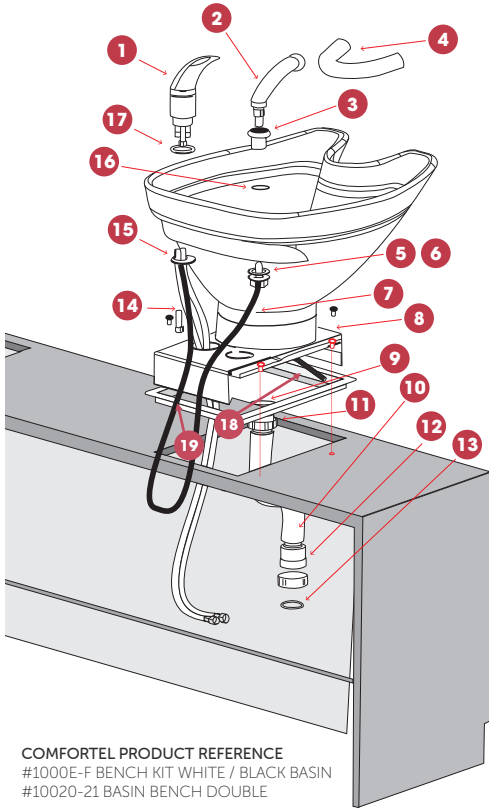
All measurements are in mm.

BASIN BENCH KIT

Choose this option if a bench kit is purchased. Basin Bench Kit is available in 2 position. For a 4 Position Bench, please see 4 Position Diagram, where 2 x Basin Bench Doubles are installed next to each other. Basin Bench Kit is recommended for situations requiring washing from behind when the plumbing is not through the floor.

For more information about the product go to help.comfortel.com.au.

DIAGRAM F



COMFORTEL PRODUCT REFERENCE
 #100DE-F BENCH KIT WHITE / BLACK BASIN
 #10020-21 BASIN BENCH DOUBLE

BENCH FIXING DETAIL

1. Position Bench as required.
2. Bench must be secured to the floor, or wall. (Fasteners not provided)
3. Seal base – seal the base of the bench inside and outside with silicone.

BASIN ASSEMBLY

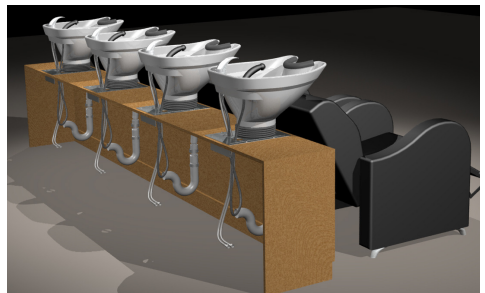
4. Install Flick Mixer using the O-ring, plastic and metal washers & Long Nut, and Showerhead using the Showerhose Basin Collar, O-ring, Foam Washer and Plastic Nut as indicated.
5. Place Flick Mixer and Showerhead Hoses through the holes in the Vinyl Strap.
6. Connect Flexible Waste Pipe to Plug and Waste which is already installed making use of end with Flat Seal and fitted flange.

BENCH KIT ASSEMBLY

7. Using 4x40mm Stainless Steel bolts with spring washers and nuts (supplied) fix Bench Kit Frame to top of Bench.
8. Connect hot and cold (1/2" connection) water braided hoses to respective supplies.
9. Connect Flexible Waste Pipe (supplied) to P Trap (not supplied) making use of Seal and Flange.
10. Connect Basin Spring which is already connected to the tilt and slide plate to the hole in the Bench Kit Frame at the front left corner.
11. Place both ends of Vinyl Cover into the slots provided on front and back of Bench Kit Frame.

BASIN ASSEMBLY

- | | |
|---------------------------|----------------------------|
| 1 Flick Mixer | 11 Fitted flange |
| 2 Showerhead | 12 Flange |
| 3 Showerhose Basin Collar | 13 Seal |
| 4 Comfortneck | 14 Long nut |
| 5 Foam Washer | 15 Plastic & Metal Washers |
| 6 Plastic Nut | 16 O-ring |
| 7 Showerhead hose | 17 O-ring |
| 8 Vinyl Strap | 18 Basin spring |
| 9 Flat seal | 19 Bench Kit Frame |



IMPORTANT

ALL PLUMBING MUST BE COMPLETED BY A LICENSED PLUMBER

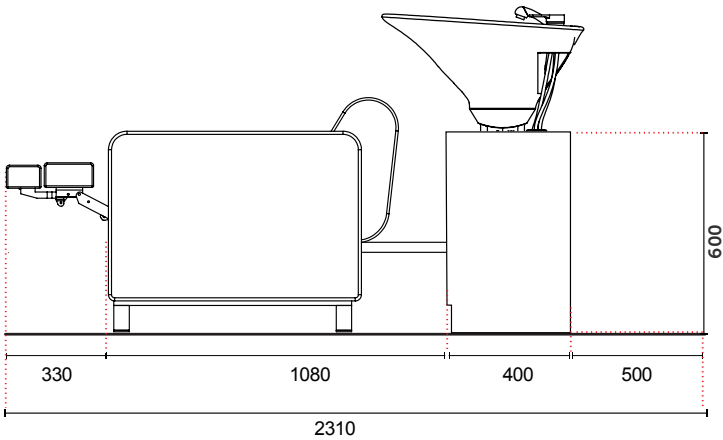
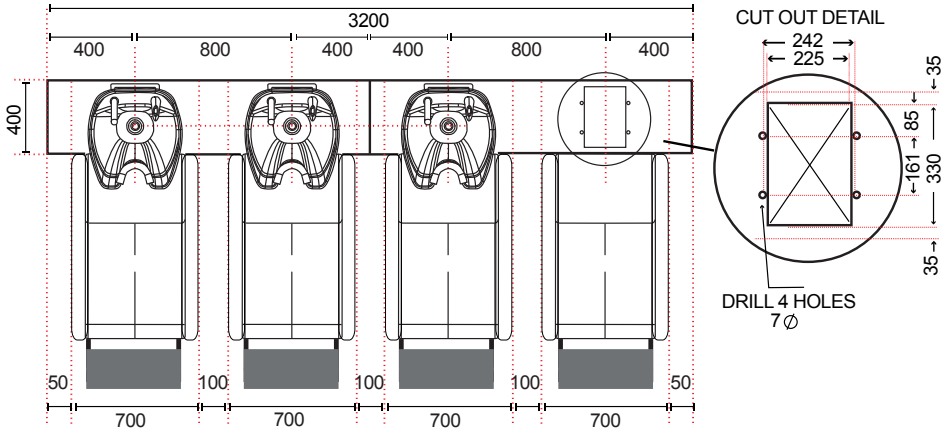


IMPORTANT

GPO'S MUST BE INSTALLED BY A QUALIFIED ELECTRICIAN IN ACCORDANCE WITH AUSTRALIAN STANDARDS.

WASHING FROM BEHIND BENCH CONFIGURATION

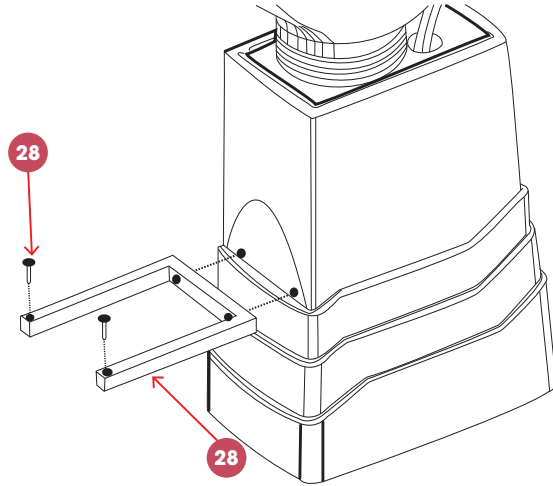
COMFOTEL PRODUCT REFERENCE
 #1000G-H BENCH KIT WHITE OR BLACK XL BASIN



BENCH HEIGHT REQUIREMENTS:
 XL Basin Bench Height: 600mm
 Standard Basin Bench Height: 650mm

All measurements are in mm.

DIAGRAM G 28 Connector

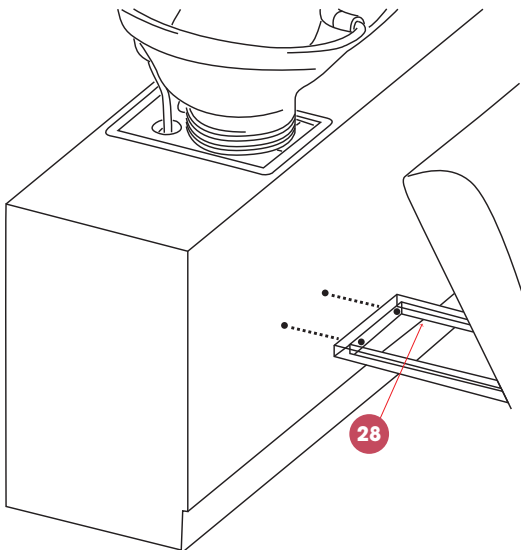


INSTALL CHAIR TO BASIN STAND

- Fix Connector to stand front using two bolts and nuts provided.

INSTALLATION & ASSEMBLY: CHAIR TO BASIN BENCH

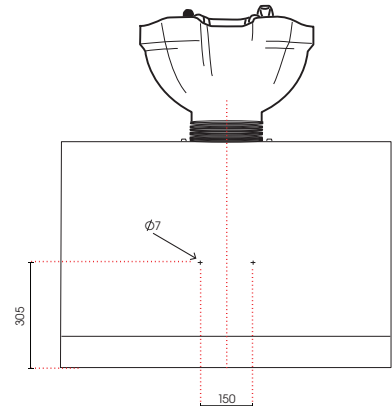
DIAGRAM H 28 Connector



INSTALL CHAIR TO BASIN BENCH

- Fix Connector to Bench front using two bolts and nuts provided. Refer to sketch for drilling details.
- It is recommended to install these brackets before installing bench for easy access.

DIAGRAM I



FUNCTIONS

PULSTATING MASSAGE CONTROL

Experience the ultimate relaxation at your fingertips with the massage power function. Activate and deactivate the massage feature effortlessly, tailored to your comfort and convenience.

CUSTOMISABLE MESSAGE INTENSITY:

Indulge in a personalized massage experience with adjustable intensity levels. Choose from three distinct intensity settings (Level 1, Level 2, Level 3) to find your perfect balance of relaxation and rejuvenation.

SEAMLESS AUTO RECLINE & MESSAGE

Immerse yourself in pure bliss with the auto recline and massage function. Effortlessly activate both features simultaneously, allowing the chair to gently recline while the massage melts away your stress and tension.

EFFORTLESS AUTO RECLINE

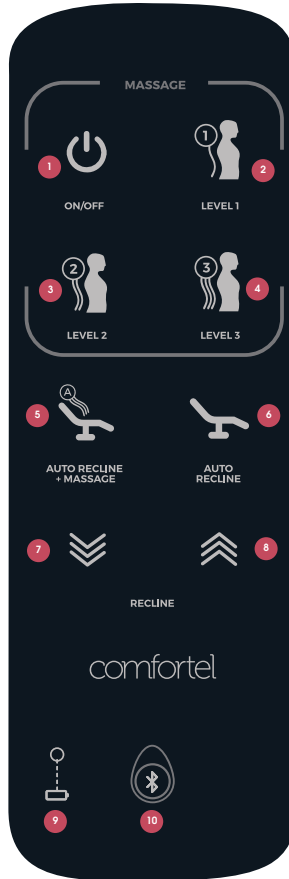
Experience unparalleled comfort with the auto recline feature. Let the chair effortlessly adjust to your desired position, providing luxurious relaxation at the touch of a button.

MANUAL RECLINE LEG ADJUSTMENT

Fine-tune your seating position with precision using the manual recline leg adjustment. Raise or lower the leg rest to find the perfect angle of support and relaxation.

**SEAMLESS BLUETOOTH
MAGNET KEYSRING PAIRING**

Connect and control your massage chair with ease using the Bluetooth magnet key pairing function. Effortlessly pair your remote with the chair's innovative Bluetooth technology for seamless operation.

**OPERATION: HAND REMOTE
MESSAGE & RECLINE**

1. Massage Power
2. Massage Intensity Level 1
3. Massage Intensity Level 2
4. Massage Intensity Level 3 /Pairing mode
5. Auto Recline & Massage
6. Auto Recline
7. Manual Recline Down
8. Manual Recline Up
9. Battery Indication
10. Magnet Pairing Mode

BATTERY INDICATION

When the battery power level falls below 20%, the LED will flash 4 times when a key is pressed.

When the battery has been changed, the LED will be lit for 4 seconds after the first keypress.

CHANGING THE BATTERY

A standard CR2032 coin cell battery is required.

Open the battery cover on the back using a coin or a similar tool to turn the arrow counterclockwise from the locked state to the unlocked state.

UPHOLSTERY

All upholstery needs some care; good housekeeping will help to prolong the life of any upholstered products. Avoid extreme temperatures. Extreme cold can make your vinyl prone to cracking, while extreme heat can cause permanent stretching. Avoid exposing your products to direct sunlight for prolonged periods of time.

ALWAYS FOLLOW THE CLEANING INSTRUCTIONS

- Wipe with a clean colour fast cloth dampened with mild alkaline free soap and luke warm water. Do not wet excessively.
- Remove all traces of any cleaning product by wiping with fresh water and a clean cloth.
- Dry with a soft, clean cloth.
- Stubborn grime may require gentle scrubbing with a soft brush.

Do not use:

- hot or boiling water
- hydrocarbons including alcohol
- acetone
- furniture polishes
- bleach
- concentrated detergents
- abrasive powder or paste cleaners
- steel wool
- silicon or petroleum-based cleaners
- solvent based or abrasive cleaning agents

MAINTENANCE

A periodic inspection of all components and fasteners should be made to ensure that your Comfortel Product is structurally intact and functioning properly.

Damaged and broken parts should be replaced and loose fasteners tightened.
All maintenance to be carried out by a suitably qualified trades person.

SOLUTIONS & TIPS: [SEE MORE AT HELP.COMFORTELCOM.AU](https://help.comfortel.com.au)**How to change a Showerhead**

Watch how to change your Comfortel Showerhead on your Hairdressing Basin

[Watch Video](#)

How to change a Showerhose

Watch how to change your Comfortel Showerhose on your Hairdressing Basin

[Watch Video](#)

Troubleshooting: Basin does not spring forward when pushed back

Solution: Watch the video on how to attach the spring inside your basin stand

[Watch Video](#)

Guide: Retractable Footrest Mechanism

Read more about our built-in safety retractable Footrest Mechanism when the wash lounge is in the recline position.

[Read More](#)

HELP & SUPPORT: ONE CONNECT APP

ONECONNECT APP: SIMPLIFIED SUPPORT & TROUBLESHOOTING

Our OneConnect app is designed to provide you with streamlined support and troubleshooting.

Benefits of OneConnect:

- **Simplified Support:** Connect directly with our service technicians for quick issue identification and resolution. From help content to remote troubleshooting, our team is just a tap away.
- **Real-Time System Status:** Stay informed about your devices. View live status information, including troubleshooting needs, cleaning requirements, service alerts, and low battery notifications.
- **Bluetooth® Access System Data:** Wirelessly access usage history, feedback status, and diagnose problems in real-time with simple troubleshooting tools.
- **Remote Access System Data:** Retrieve system data from anywhere via the cloud. Check usage history, feedback status, and troubleshoot systems globally for optimized technical support.

With the OneConnect app, you'll enjoy simplified support and troubleshooting for your Comfortel Connect Series product.

Maximize its potential by leveraging the app's features and seamless connectivity with our service technicians.

Experience hassle-free technical support today!

DOWNLOAD AND SETUP:

- **Download the App:** Visit the App Store or Google Play Store on your smartphone or tablet and search for "OneConnect." Download and install the app.
- **Create an Account:** Follow the in-app instructions to create a new account or log in if you already have one.
- **Pairing Devices:** Pair your Comfortel Connect Series product with the app by following the on-screen instructions and ensuring Bluetooth is enabled.
- **Explore Features:** Once paired, access system status, view data, and utilize support and troubleshooting resources within the app.



<https://onelink.to/w89ahn>

comfortel

help.comfortel.com.au

PRODUCT CODE

#1533.01 KARL CONNECT WASH LOUNGE
WITH MASSAGE

AU/NZ POWER: 240V, 50-60HZ, MAX 2.4A

UK/EU POWER: 240V, 50-60HZ, MAX 2.4A

US/CAN POWER: 110V, 50-60HZ, MAX 2.4A

MAX LOAD: 200KG (440lbs)

©Comfortel Furniture. All rights are reserved. No part of this document may be photocopied, reproduced or translated to another language without written consent of Comfortel Furniture Pty Ltd.

The information contained in this document is subject to change without notice and should not be construed as a commitment by Comfortel Furniture Pty Ltd.

Comfortel Furniture Pty Ltd. assumes no responsibility for any errors that may appear in this document nor does it make expressed or implied warranty of any kind with regard to this material, including, but not limited to, the implied warranties of merchantability and fitness for a particular purpose.

Comfortel Furniture Pty Ltd. shall not be liable for incidental or consequential damages in connection with or arising out of the use of this document and the program material.

PLEASE RETAIN THIS INFORMATION FOR FUTURE REFERENCE

WARRANTY PERIOD

TERMS AND CONDITIONS. For more information about our warranty, please refer to our website:



PURCHASE DATE

INVOICE NUMBER

NOTE YOUR PURCHASE DATE & INVOICE NUMBER FOR FUTURE REFERENCE