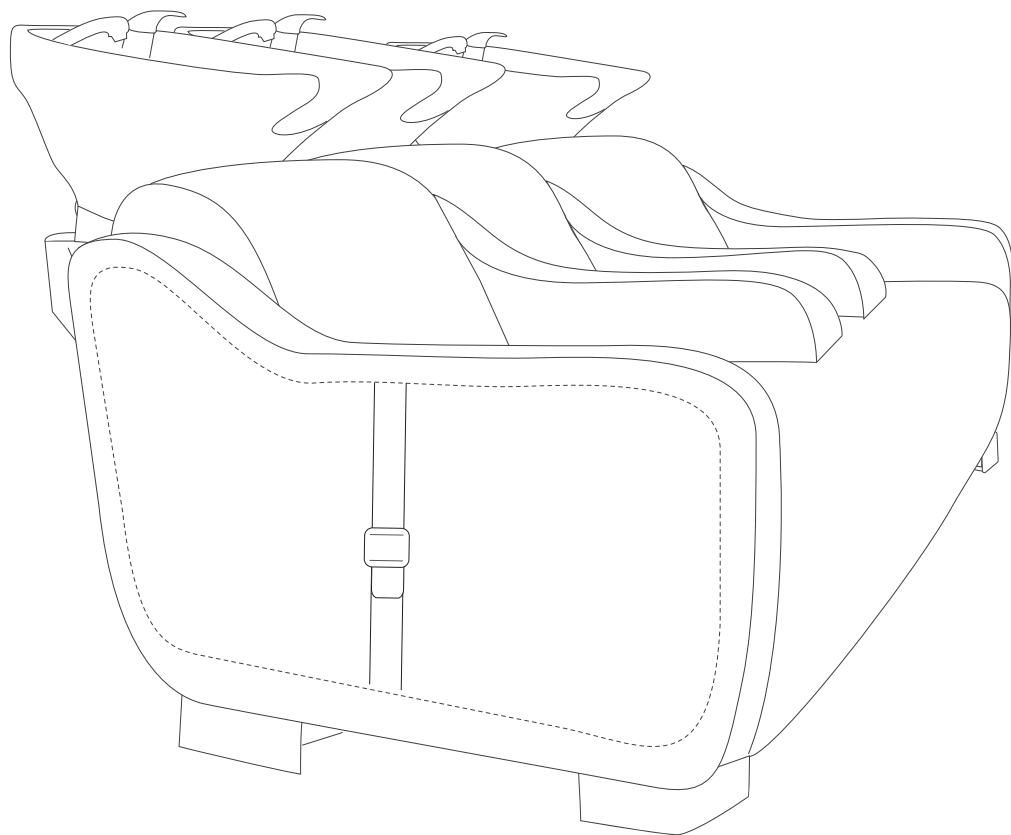


# diamond 3 seat washlounge

#1211

DIAMOND 3 SEAT

---





## IMPORTANT PLEASE READ THESE SAFETY INSTRUCTIONS

### GENERAL SAFETY

1. Read carefully and keep these instructions in a safe place.
2. Use this product only for its intended function and do not use attachments not recommended by the manufacturer.
3. Do not use outdoors.

### PLUMBING

1. This unit must be plumbed by a licensed plumber.



### IMPORTANT

ALL PLUMBING MUST BE COMPLETED BY A LICENSED PLUMBER



### IMPORTANT

DO NOT ALLOW CHILDREN AROUND THE WASHLOUNGE WHEN IN USE

## GET STARTED

### DIAMOND 3 SEAT

Wash Lounge

Total Width: 2560mm

Internal Seat Width: 600mmx3

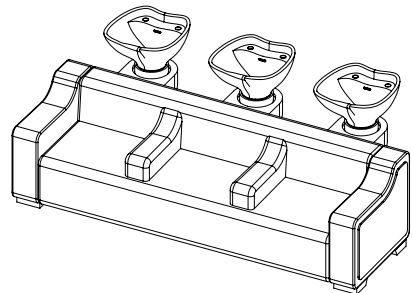
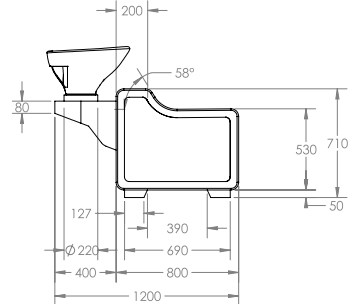
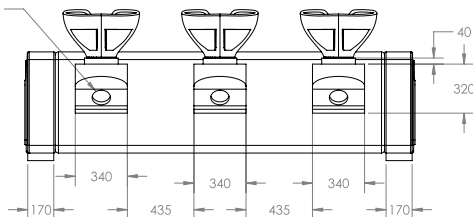
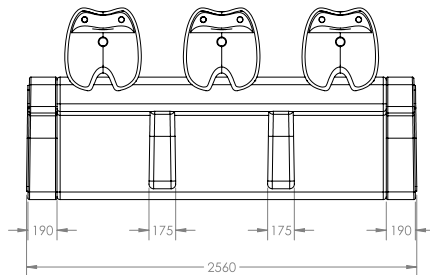
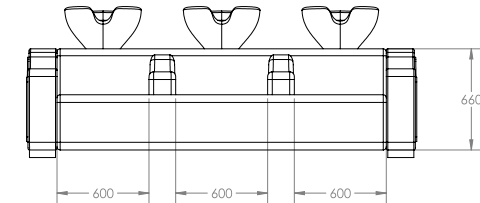
Length: 1240mm

Basin Height: 930mm

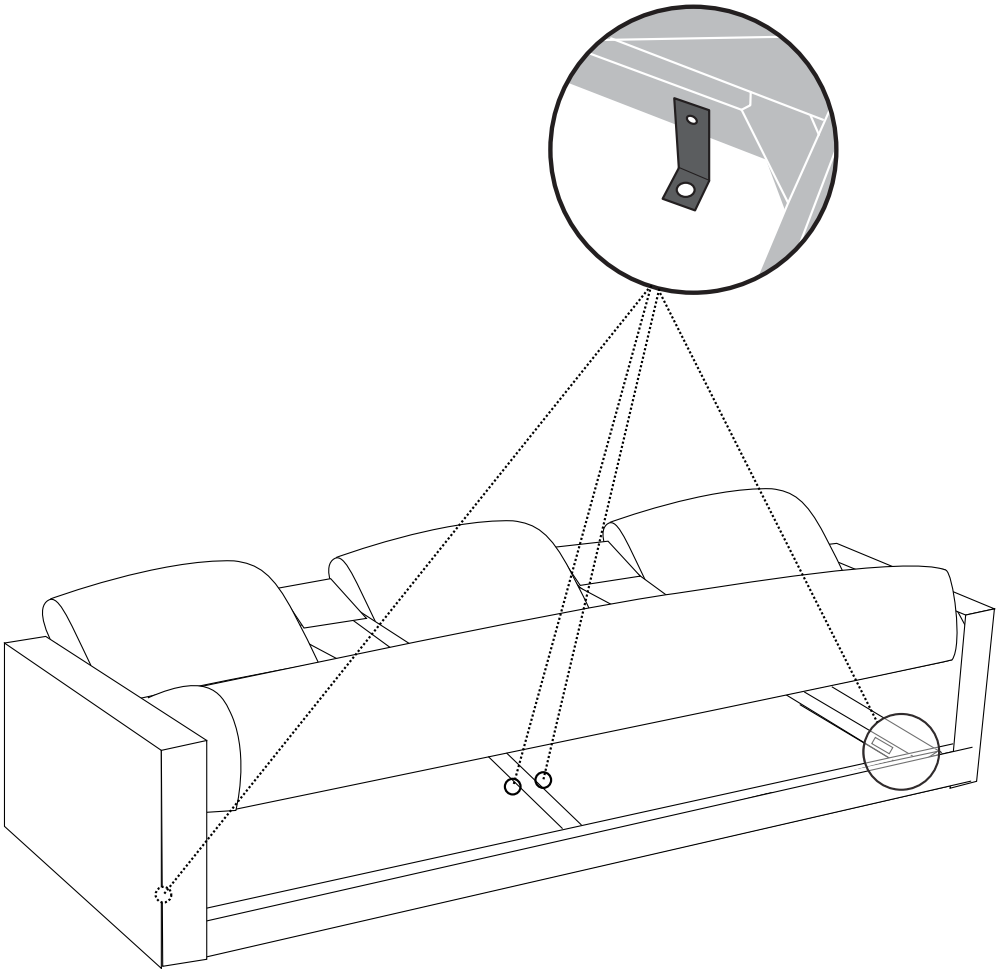
Water consumption: 5L p/m



WELS RATING



**BEFORE INSTALLATION  
SECURE AND BOLT DOWN**

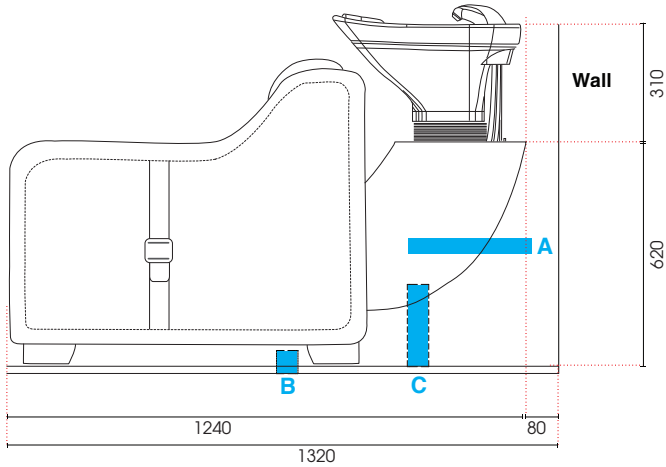


**THE WASHLOUNGE MUST BE SECURED TO THE FLOOR.**

Making sure your wash lounge is supported from behind, remove the back panel by unscrewing the two screws located on the left and right of the access panel. Fix to the floor through connector brackets using bolts.

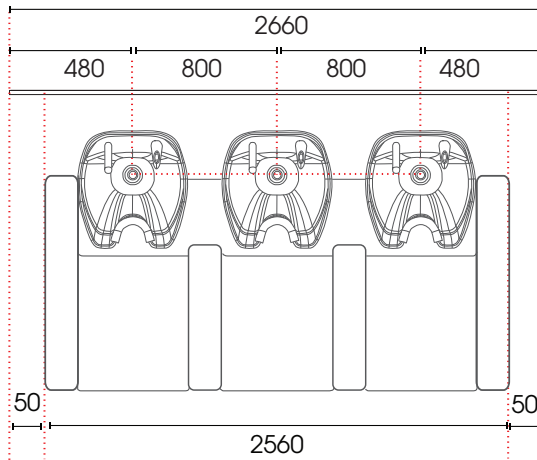
# POSITIONING

DIAGRAM A



If washing from behind, allow a minimum of 400mm of space behind your washlounge to provide room for access.

DIAGRAM B



## BEFORE INSTALLING YOU SHOULD CONSIDER THE FOLLOWING

- Allow for the necessary room around the unit for free movement.
- If installing against a wall, a minimum distance of 80mm between wall and bottom back of basin is required to allow free movement of basin.
- If plumbing location is in wall (see Diagram A). For neatness of finish it is preferable to bring water and waste into the washlounge in the same hole.
- If plumbing location is on floor (see Diagram A), place washlounge over.

## PLUMBING ACCESS OPTIONS

Determine the best way to connect plumbing.

### OPTION A: FROM WALL TO BASIN STAND

From behind the basin stand connect plumbing to the wall

### OPTION B: FROM FLOOR TO BASIN STAND

From under the basin stand connect plumbing to the floor

### OPTION C: FROM FLOOR BENEATH SEAT

From under the chair seat connect plumbing to the floor

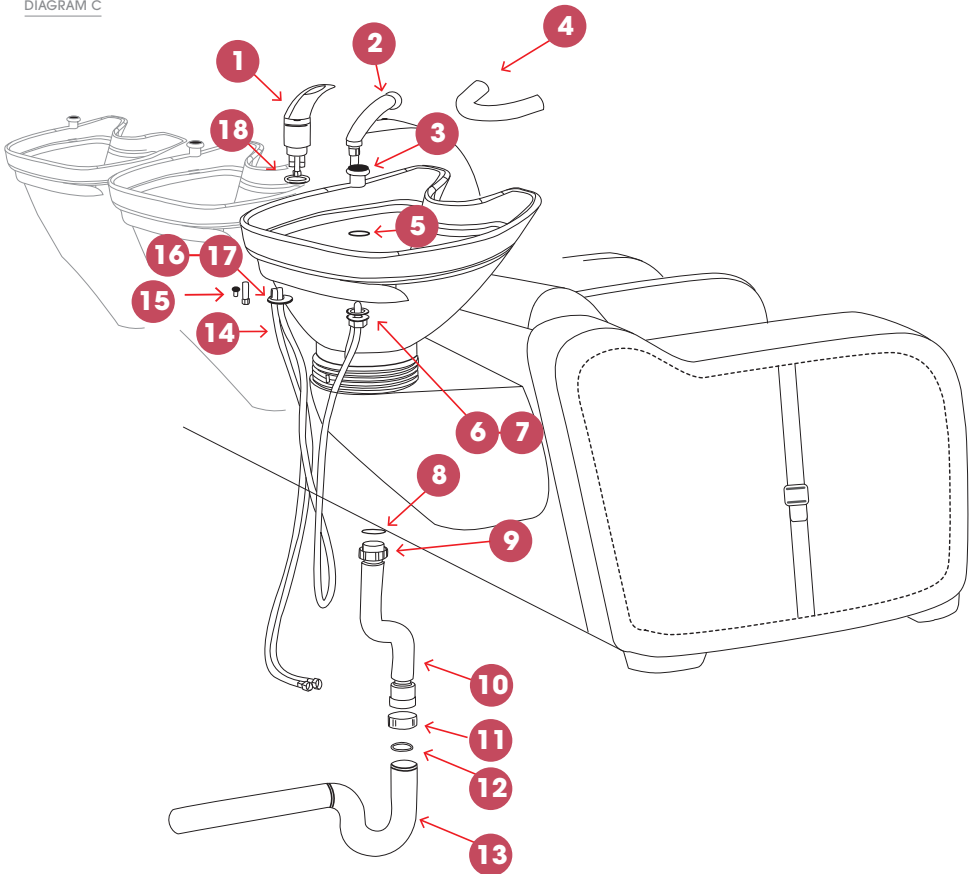


## IMPORTANT

ALL PLUMBING MUST BE COMPLETED BY A LICENSED PLUMBER

# ASSEMBLY

DIAGRAM C



## BASIN ASSEMBLY

- |                            |                                |
|----------------------------|--------------------------------|
| 1. Flick Mixer             | 10. Flexible waste pipe        |
| 2. Showerhead              | 11. Flange                     |
| 3. Showerhead basin collar | 12. Seal                       |
| 4. Comfortneck             | 13. P trap (not supplied)      |
| 5. O-ring                  | 14. Hot and cold braided hoses |
| 6. Foam washers            | 15. Long nut                   |
| 7. Plastic nut             | 16. Plastic washers            |
| 8. Flat seal               | 17. Metal washers              |
| 9. Fitted flange           | 18. O-ring                     |

## WASHLOUNGE ASSEMBLY

1. Washlounge MUST be secured to the floor.

## BASIN ASSEMBLY

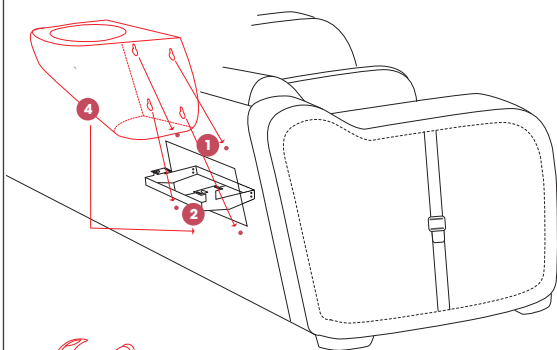
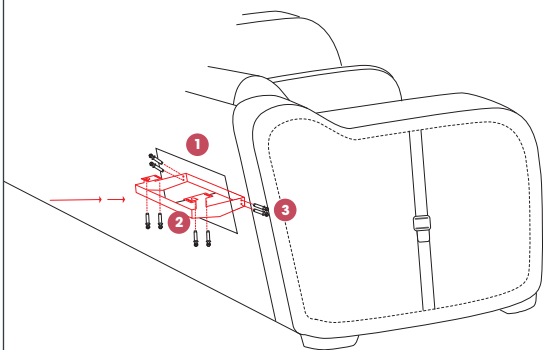
2. Install Flick Mixer using O-ring, plastic and metal washers & (Long Nut) and Shower Head using the Showerhose Basin Collar, O-ring, Foam Washer & Plastic Nut as indicated.
3. Place Flick Mixer and Shower Head Hoses through the holes in the basin.
4. Connect Flexible Waste Pipe to Plug and Waste which is already installed making use of the with Flat Seal and fitted Flange.

## PLUMBING CONNECTION

5. Connect Flexible Waste Pipe to P trap (not supplied) making use of Seal and Flange.
6. Connect hot and cold (1/2" connection) braided hoses to respective supplies.
7. Please attach Comfortneck to the basin.

# INSTALLATION & ASSEMBLY: BASIN

DIAGRAM D



## BASIN ASSEMBLY

1. Opening at back of chair
2. Steel frame
3. Bolts (supplied)
4. Stainless steel cover
5. Ceramic basin

## INSTALLING BASIN

- Undo bolts and remove steel frame from the opening of the back of chair.
- Flip steel frame over and re-bolt onto the inside of the chair using bolts supplied.
- Secure and bolt on the stainless cover onto the steel frame.
- Using 4 x bolts/nuts provided, install ceramic basin onto steel frame and tighten.
- Check the basin is balanced. If not balanced, adjust the bolts to ensure that the basin is balanced correctly.

## IMPORTANT

PLEASE MAKE SURE THERE IS SUPPORT AT THE BACK OF THE WASH LOUNGE WHERE THE WASH BASINS ARE LOCATED, AS ONCE THE SEAT CUSHION IS REMOVED - THE UNIT COULD TILT BACKWARDS.



## CLEANING

### ALWAYS FOLLOW THE CLEANING INSTRUCTIONS

#### UPHOLSTERY

- All upholstery needs some care; good housekeeping will help to prolong the life of any upholstered products.
- Avoid extreme temperatures. Extreme cold can make your vinyl prone to cracking, while extreme heat can cause permanent stretching.
- Avoid exposing to direct sunlight for prolonged periods of time.
- Clean regularly (weekly) to remove body oils which cause hardening or damage
- To clean use a sponge which has been moistened in warm soapy water
- After cleaning with a sponge, dry with a soft, clean cloth
- Stubborn grime may require gentle scrubbing with a soft brush

#### Do not use:

- acetone
- bleach
- abrasive cleaners
- furniture polishes
- detergent
- steel wool

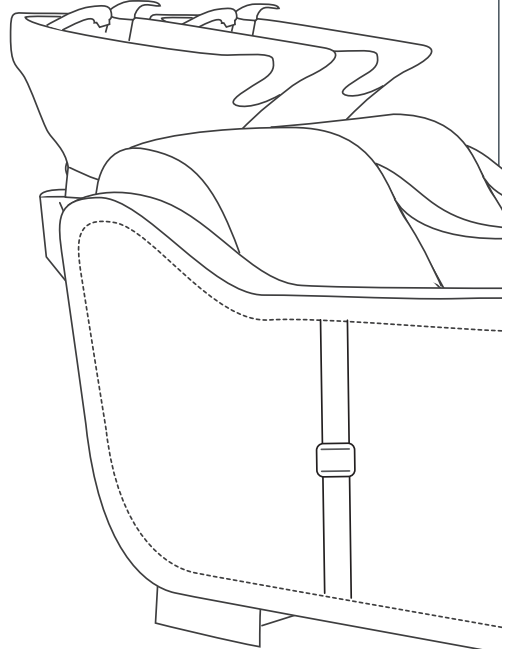
#### METAL AREAS

Wipe using regular cleaning products that are recommended for stainless steel and metals.

#### Do not use:

- acetone
- bleach
- abrasive cleaners
- furniture polishes
- detergent
- steel wool

Damage caused by any improper treatment is not covered by the product warranty.



## MAINTENANCE

A periodic inspection of all components and fasteners should be made to ensure that your washlounge is structurally intact and functioning properly.

Damaged and broken parts should be replaced and loose fasteners tightened.

All maintenance to be carried out by a suitably qualified tradesperson.

#### HOW TO CHANGE A SHOWERHEAD

Please view our online video on how to change a showerhead:

<http://www.youtube.com/watch?v=3stWF7882EA>

# comfortel

help.comfortel.com.au

## PRODUCT CODE

#1211 DIAMOND 3 SEAT WASHLOUNGE



Revision Date: 14.06.2018

©Comfortel Furniture 1997-2018. All rights are reserved.  
No part of this document may be photocopied,  
reproduced or translated to another language without  
written consent of Comfortel Furniture Pty Ltd.

The information contained in this document is subject to change without notice and should not be construed as a commitment by Comfortel Furniture Pty Ltd.

Comfortel Furniture Pty Ltd. assumes no responsibility for any errors that may appear in this document nor does it make expressed or implied warranty of any kind with regard to this material, including, but not limited to, the implied warranties of merchantability and fitness for a particular purpose.

Comfortel Furniture Pty Ltd. shall not be liable for incidental or consequential damages in connection with or arising out of the use of this document and the program material.

## **PLEASE RETAIN THIS INFORMATION FOR FUTURE REFERENCE**

For more information about our products and services, contact us at [comfortel.com.au](http://comfortel.com.au)

**PURCHASE DATE**

**INVOICE NUMBER**

**NOTE YOUR PURCHASE DATE & INVOICE NUMBER FOR FUTURE REFERENCE**