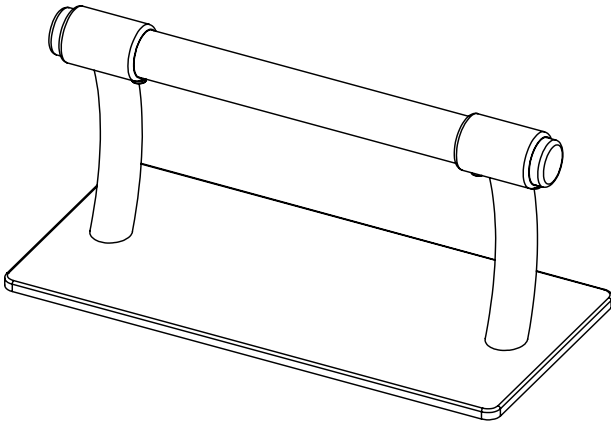


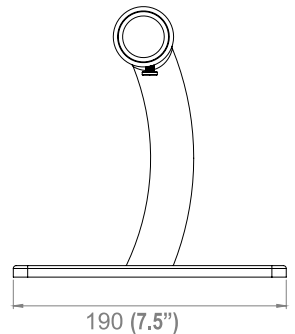
# supernova footrest

#10261

SUPERNOVA FOOTREST



## GET STARTED



## ASSEMBLY

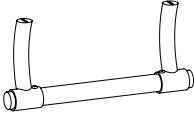

### SUPERNOVA




Freestanding Footrest

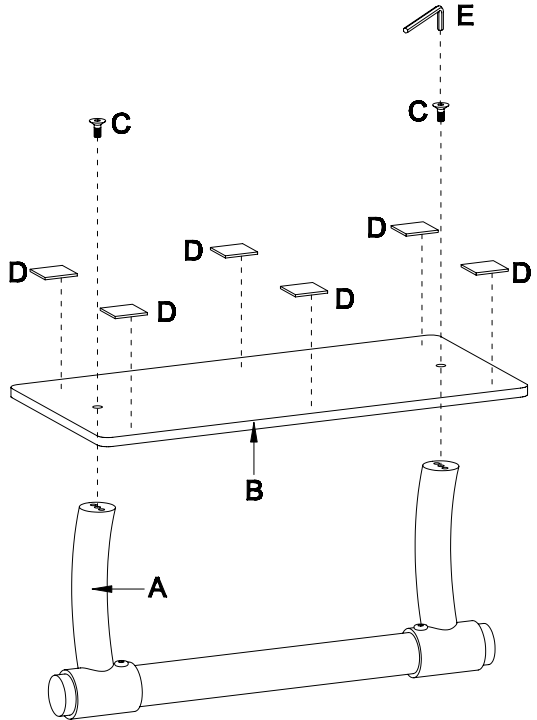
**Width:** 400mm (15.75")

**Height:** 190mm (15.75")

**Depth:** 190mm (15.75")

NO.	DESCRIPTION		Qty
A	Supporting foot		1
B	Iron sheet		1

NO.	DESCRIPTION		Qty
C	Screw	Ø1/4"x1/2"	 2
D	Sponge	30x30x2.0mm	 6
E	Allen wrench	M4	 1



## MAINTENANCE

A periodic inspection of all components and fasteners should be made to ensure that your Comfortel product is structurally intact and functioning properly.

Damaged and broken parts should be replaced and loose fasteners tightened.

All maintenance to be carried out by a suitably qualified tradesperson.

## CLEANING

- Clean regularly with everyday household cleaners.
- Dry with clean soft cloth  
(never use abrasive cleaners)

### Do not use:

- acetone
- bleach
- abrasive cleaners
- furniture polishes
- detergent
- steel wool

# comfortel

[help.comfortel.com.au](http://help.comfortel.com.au)

### PRODUCT CODE

#10261 SUPERNOVA FOOTREST

Revision Date: V2.12.08.2020

©Comfortel Furniture. All rights are reserved. No part of this document may be photocopied, reproduced or translated to another language without written consent of Comfortel Furniture Pty Ltd.

The information contained in this document is subject to change without notice and should not be construed as a commitment by Comfortel Furniture Pty Ltd.

Comfortel Furniture Pty Ltd. assumes no responsibility for any errors that may appear in this document nor does it make expressed or implied warranty of any kind with regard to this material, including, but not limited to, the implied warranties of merchantability and fitness for a particular purpose.

Comfortel Furniture Pty Ltd. shall not be liable for incidental or consequential damages in connection with or arising out of the use of this document and the program material.

### **PLEASE RETAIN THIS INFORMATION FOR FUTURE REFERENCE**

For more information about our products and services, contact us at [comfortel.com.au](http://comfortel.com.au)