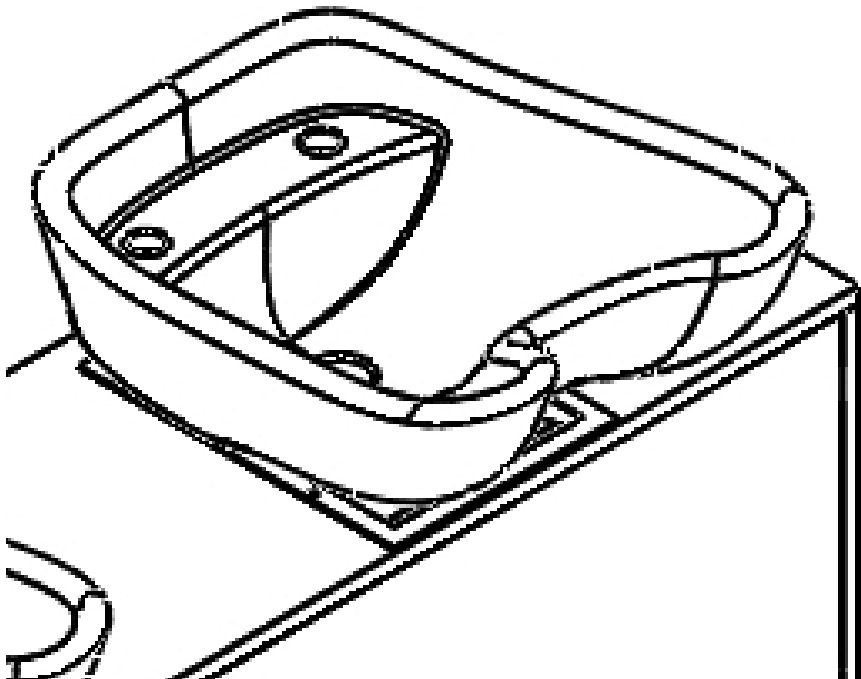


standard basin bench kit

#1000E BASIN BENCH KIT - STANDARD WHITE BASIN

#1000F BASIN BENCH KIT - STANDARD BLACK BASIN



DESIGNING YOUR OWN BASIN BENCH: FOLLOW THESE GUIDELINES

If you choose to design your own basin bench, Comfortel recommends that you follow these guidelines for the best outcome to work with your chair and basin.

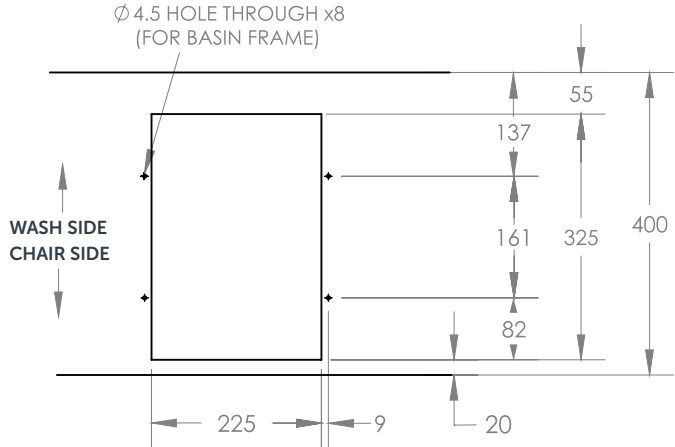
Comfortel are not liable if you change our recommendations below.

BENCH FRAME INSTALLATION

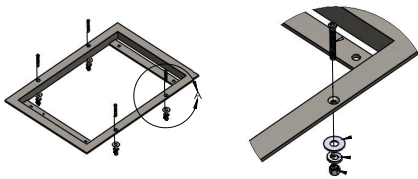
Please follow these measurements for installing the Comfortel Bench Kit Basin. Comfortel do not recommend that the cut out for the basin bench frame is done, until after you receive the bench frame.

CUTTING A HOLE FOR THE BASIN BENCH KIT FRAME

Please note. It is essential that the cut out be as close as possible to edge of the bench nearest the chair as shown in this diagram of 20mm.



INSTALLING BENCH KIT FRAME



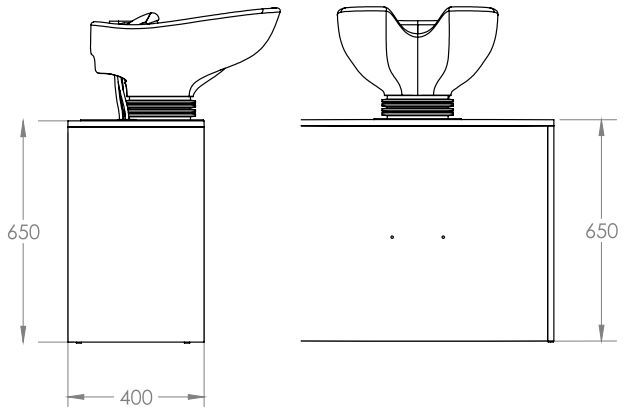
REQUIRED (NOT SUPPLIED)

4X40MM STAINLESS STEEL BOLTS WITH SPRING WASHERS

BASIN BENCH HEIGHT

For use with Comfortel standard basin chairs, we recommend the height to the top of the bench to be 650mm from the floor.

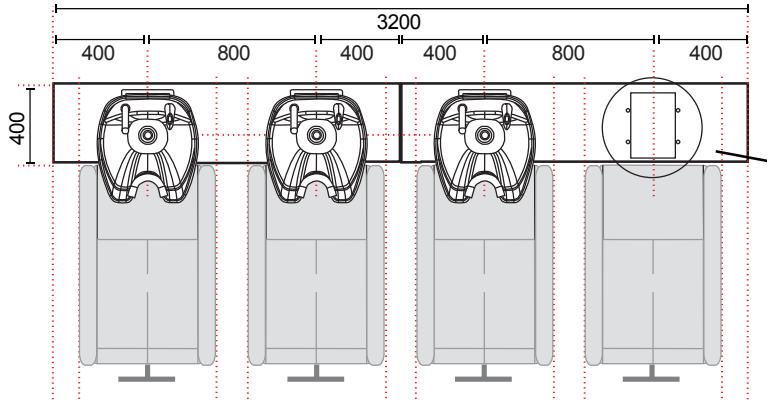
Recommended depth is 400mm



RECOMMENDED POSITIONING EXAMPLES

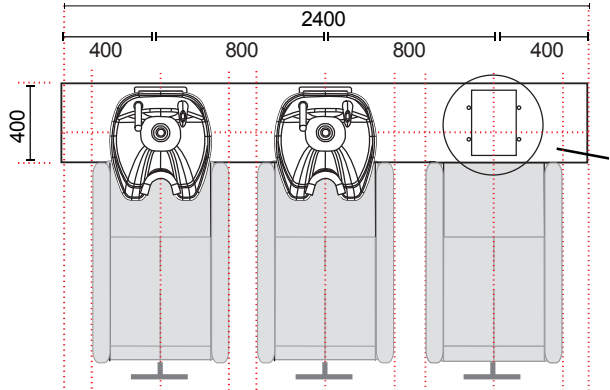
4 POSITION

Based on a 700mm Wide Washlounge



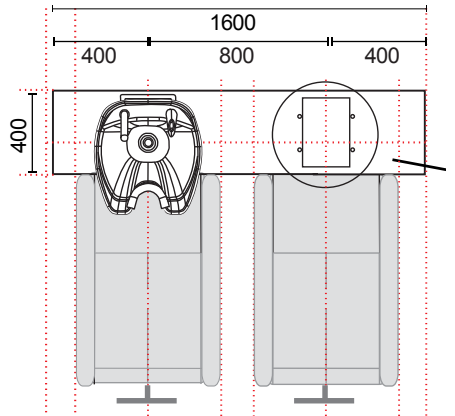
3 POSITION

Based on a 700mm Wide Washlounge



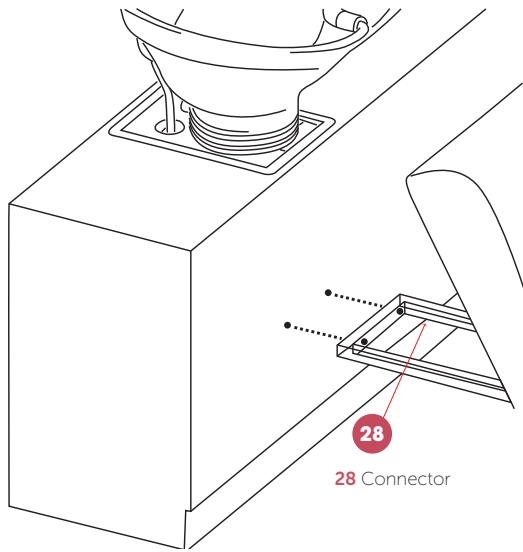
2 POSITION

Based on a 700mm Wide Washlounge



All measurements are in mm.

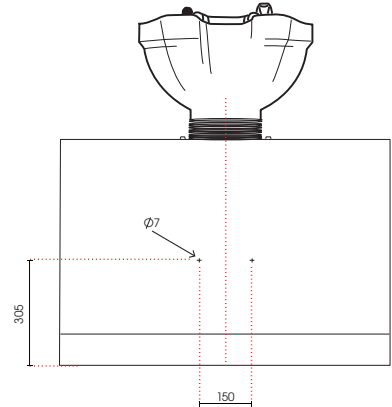
INSTALLATION & ASSEMBLY: OPTIONAL CHAIR TO BASIN BENCH



INSTALL CHAIR TO BASIN BENCH

- Fix Connector to Bench front using two bolts and nuts provided. Refer to sketch for drilling details.
- It is recommended to install these brackets before installing bench for easy access.

DIAGRAM 1



MAINTENANCE

A periodic inspection of all components and fasteners should be made to ensure that your Comfortel Product is structurally intact and functioning properly.

Damaged and broken parts should be replaced and loose fasteners tightened.

All maintenance to be carried out by a suitably qualified tradesperson.

HOW TO CHANGE A SHOWERHEAD

For more support & help, including troubleshooting videos, refer to our support center on our website

www.comfortel.com.au/service-support/troubleshooting-videos/

CLEANING

UPHOLSTERY

All upholstery needs some care; good housekeeping will help to prolong the life of any upholstered products. Avoid extreme temperatures.

Extreme cold can make your vinyl prone to cracking, while extreme heat can cause permanent stretching. Avoid exposing your products to direct sunlight for prolonged periods of time.

ALWAYS FOLLOW THE CLEANING INSTRUCTIONS

- Wipe with a clean colourfast cloth dampened with mild alkaline free soap and luke warm water. Do not wet excessively.
- Remove all traces of any cleaning product by wiping with fresh water and a clean cloth.
- Dry with a soft, clean cloth.
- Stubborn grime may require gentle scrubbing with a soft brush.

Do not use:

- hot or boiling water
- hydrocarbons including alcohol
- acetone
- furniture polishes
- bleach
- concentrated detergents
- abrasive powder or paste cleaners
- steel wool
- silicon or petroleum-based cleaners
- solvent based or abrasive cleaning agents



IMPORTANT PLEASE READ THESE SAFETY INSTRUCTIONS

GENERAL SAFETY

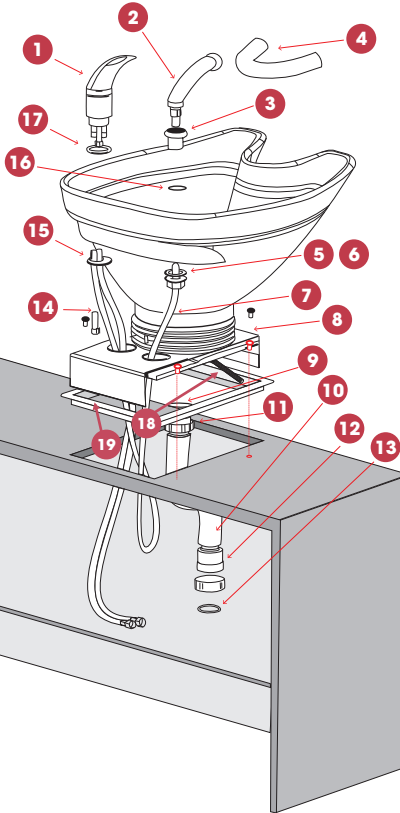
1. Read carefully and keep these instructions in a safe place.
2. Use this product only for its intended function and do not use attachments not recommended by the manufacturer.
3. Do not use outdoors.



IMPORTANT

ALL PLUMBING MUST BE COMPLETED BY A LICENSED PLUMBER

INSTALLATION & ASSEMBLY: BASIN



BENCH FIXING DETAIL

1. Position Bench as required.
2. Bench must be secured to the floor, or wall. (Fasteners not provided)
3. Seal base – seal the base of the bench inside and outside with silicone.

BASIN ASSEMBLY

4. Install Flick Mixer using the O-ring, plastic and metal washers & Long Nut, and Showerhead using the Showerhose Basin Collar, O-ring, Foam Washer and Plastic Nut as indicated.
5. Place Flick Mixer and Showerhead Hoses through the holes in the Vinyl Strap.
6. Connect Flexible Waste Pipe to Plug and Waste which is already installed making use of end with Flat Seal and fitted flange.

BENCH KIT ASSEMBLY

7. Using 4x40mm Stainless Steel bolts with spring washers and nuts (not supplied) fix Bench Kit Frame to top of Bench.
8. Connect hot and cold (1/2" connection) water braided hoses to respective supplies.
9. Connect Flexible Waste Pipe (supplied) to P Trap (not supplied) making use of Seal and Flange.
10. Connect Basin Spring which is already connected to the tilt and slide plate to the hole in the Bench Kit Frame at the front left corner.
11. Place both ends of Vinyl Cover into the slots provided on front and back of Bench Kit Frame.

BASIN ASSEMBLY

- | | |
|---------------------------|----------------------------|
| 1 Flick Mixer | 11 Fitted flange |
| 2 Showerhead | 12 Flange |
| 3 Showerhose Basin Collar | 13 Seal |
| 4 Comfortneck | 14 Long nut |
| 5 Foam Washer | 15 Plastic & Metal Washers |
| 6 Plastic Nut | 16 O-ring |
| 7 Showerhead hose | 17 O-ring |
| 8 Vinyl Strap | 18 Basin spring |
| 9 Flat seal | 19 Bench Kit Frame |
| 10 Flexible Waste Pipe | |





help.comfortel.com.au

PRODUCT CODE

#1000E BENCH KIT - WHITE BASIN
#1000F BENCH KIT - BLACK BASIN

Revision Date: V2.11.08..2020

©Comfortel Furniture. All rights are reserved. No part of this document may be photocopied, reproduced or translated to another language without written consent of Comfortel Furniture Pty Ltd.

The information contained in this document is subject to change without notice and should not be construed as a commitment by Comfortel Furniture Pty Ltd.

Comfortel Furniture Pty Ltd. assumes no responsibility for any errors that may appear in this document nor does it make expressed or implied warranty of any kind with regard to this material, including, but not limited to, the implied warranties of merchantability and fitness for a particular purpose.

Comfortel Furniture Pty Ltd. shall not be liable for incidental or consequential damages in connection with or arising out of the use of this document and the program material.

PLEASE RETAIN THIS INFORMATION FOR FUTURE REFERENCE

For more information about our products and services, contact us at comfortel.com.au

WARRANTY PERIOD

TERMS AND CONDITIONS. For more information about our warranty, please refer to our website.

PURCHASE DATE

INVOICE NUMBER

NOTE YOUR PURCHASE DATE & INVOICE NUMBER FOR FUTURE REFERENCE